

PICCOLETTO FA *30W LED Fresnel SPOTLIGHT 100/240V 50/60 Hz* *(white light, either Tungsten or Daylight balanced Correlated Color Temperature)*

INSTRUCTION MANUAL



MANUFACTURER

ILT Italy S.r.l.
Via Cancelliera # 10a, 00041 Albano Laziale (Rome- Italy).
Tel. +39/06/902901 Fax. +39/06/90231051
U.R.L.: www.desisti.it E-mail: desisti@desisti.it

REPRESENTATIVE

1. INTRODUCTION

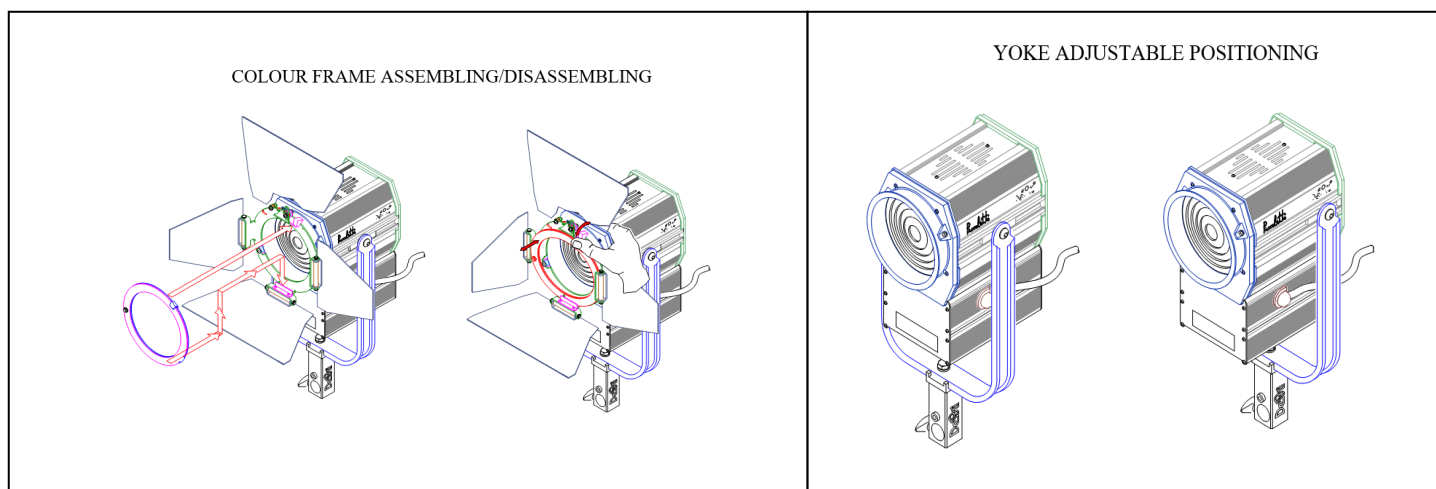
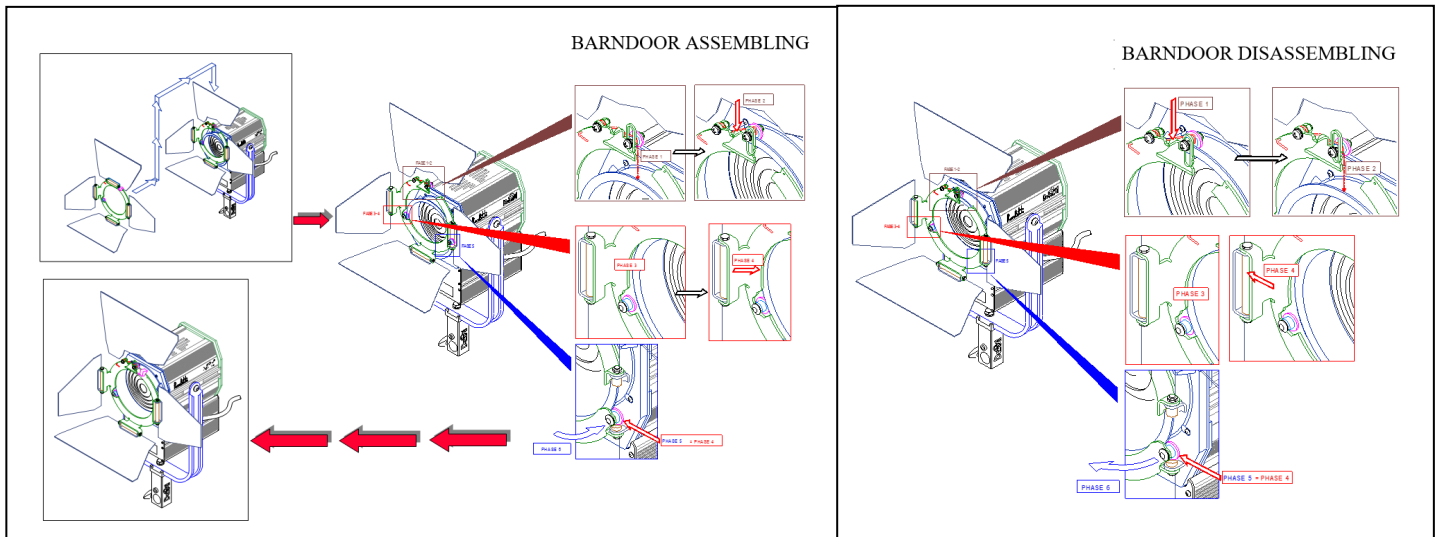
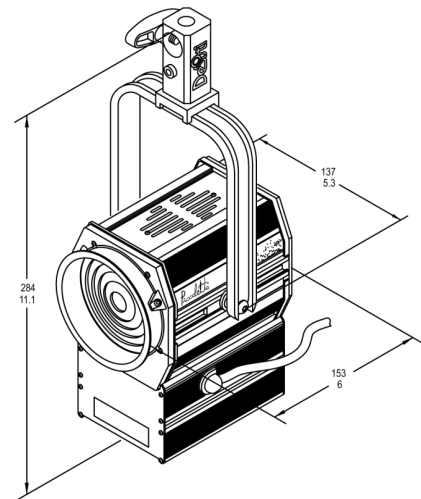
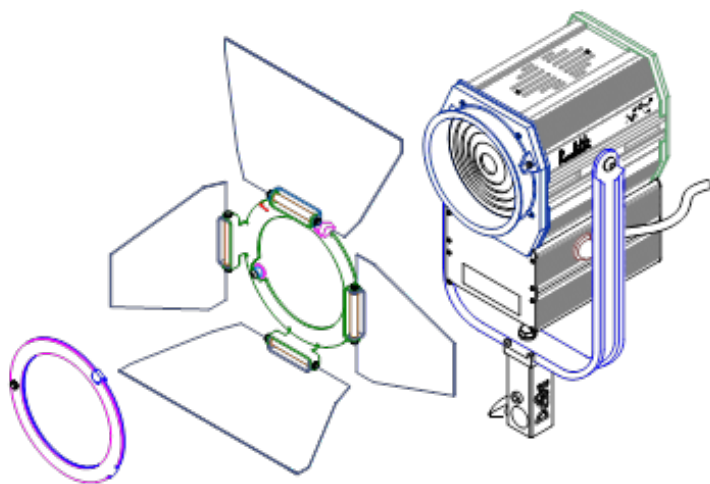
Congratulations on your purchase of a PICCOLETTO lighting fixture with either Tungsten or Daylight Balanced CCT LED. Our commitment to Total Customer Satisfaction and our consolidated experience and leadership in design innovation and manufacturing of lighting products for the professional Entertainment Industry means you can depend upon the quality of this product.

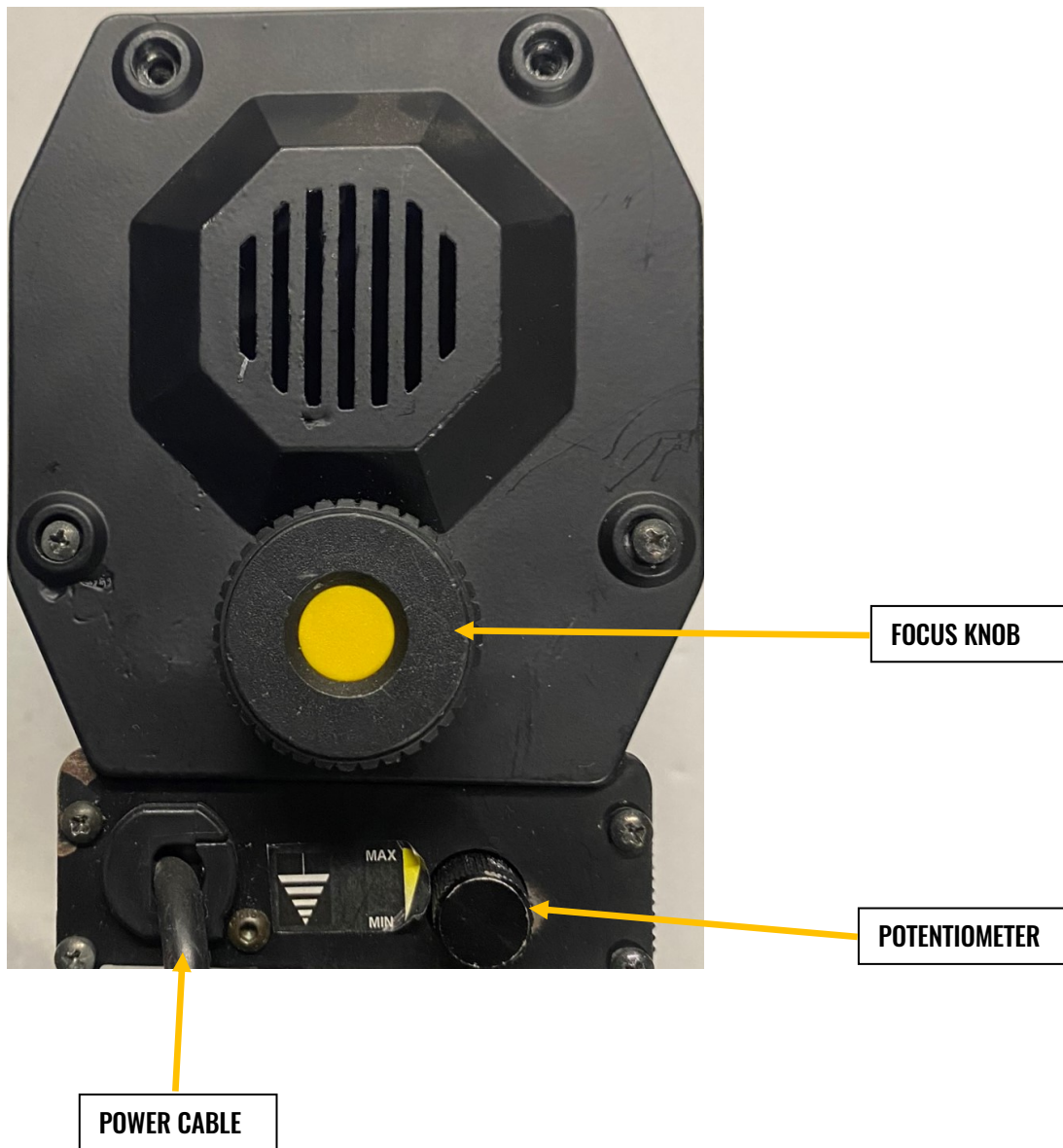
The PICCOLETTO is a compact, highly efficient Fresnel lens spotlight using a LED ARRAY combined with the DE SISTI Patented optical system to optimize the photometric performances of LED ARRAYS when utilized in combination with either Fresnels or Plano Convex lenses.

The Lighting Fixture is DMX Controlled and includes a number of parameters that can be set locally, it is equipped with a universal voltage power supply for AC feed and it is available with either Tungsten or Daylight Balanced CCT.

It utilizes Standard accessories from the DE SISTI range of equivalent Fresnel Lens size, such as Barndoor, Colour Frame, Cones, scrims.

2. ACCESSORIES AND PRODUCT FEATURES





3. POWER AND DMX DAISY CHAIN

The PICCOLETTO permits both POWER and DMX DAISY CHAIN.
In fact each Fixture is respectively equipped with:

For DMX:

- 1 XLR5 pin Panel Mount Male (DMX IN)
- 1 XLR5 pin Panel Mount Female (DMX OUT)

For Mains Supply


- 1.5 mt CABLE

It is recommended to Daisy Chain a Max of 12 fixtures, even if the limitations imposed by DMX Standards are for an higher q.ty of units and even if the Powercon Connections are rated for 20A max.

4. SAFETY INSTRUCTIONS

⊃ **Professional use:** This luminaire has been designed for professional use and must be operated by qualified personnel only. Not for residential use.


⊃ **Grounding:** **WARNING: THIS LUMINAIRE MUST BE GROUNDED**

⊃  **WARNING: Disconnect Power CORDS before any maintenance work or opening the FUSE HOLDER. Risk of serious injury.**

⊃ **Electrical connections: IMPORTANT** The cores in this mains lead are colored in accordance with the following code:

	<u>Europe</u>	<u>America</u>
<i>Ground</i>	Green & yellow	Green or green & yellow
<i>Neutral</i>	Blue	White
<i>Live</i>	Brown	Black

In case the colors of the cores do not correspond to the colors of the connection points on your plug, please proceed as follows:

- the green or green and yellow core must be connected to the connection point marked with the letter E or with the symbol  or colored in green or in green - yellow;
- the blue (or white) core must be connected to the connection point marked with the letter N or colored in black;
- the brown (or black) core must be connected to the connection point marked with the letter L or colored in red.

Working conditions

⊃ Working Position	Lighting fixture: Max. Tilting $\pm 90^\circ$ from horizontal			
⊃ Ambient Temperature, t_a at the place of installation and Storage	Minimum 10°C, maximum +40°C			
⊃ Humidity at the place of installation and Storage	25-80% (not condensing)			
⊃ Minimum distances from inflammable surfaces	Top	Back	Sides	Front
	0,1 m.	0,1 m.	0,1 m.	0,5 m.

The luminaire should never be OPERATED close to inflammable materials. The ones indicated in the above table are the minimum distances recommended. Other requirements for safe use are:

- Do not cover the apertures of the luminaire housing. They are essential for correct ventilation.
- Use only original accessories and spares from De Sisti Lighting.
- Before hanging the luminaire ensure that the suspension point (or the stand) is properly rated to accept the luminaire weight.
- In case of pole operated use, fit only a P.O. stirrup from De Sisti Lighting.
- A suitable secondary safety suspension device (safety cable, chain or equivalent) must be fitted between the suspension point and the eyelet at the front of the body .

WARNING : DO NOT MOUNT THE LUMINAIRE ON A NORMALLY FLAMMABLE SURFACE .

5. INSTALLATION INSTRUCTIONS

The following procedure should be adopted:

Before connecting the luminaire to the electrical mains ensure that:

- Earth line is present on the power socket.
- The mains voltage is within the rated range of the luminaire (see technical data on the rating label)
- The front safety shield is present and in good condition.
It consists of a Fresnel lens made by borosilicate un-toughened glass, with a Diameter = 120 mm , thickness = 4 mm type (3 min).



WARNINGS :

- Do not operate the product if the ambient temperature exceeds 40° C
- Provide a minimum clearance of 0,1m (4 in.) around fans and air vents.
- SHIELDS, LENSES SAFETY OR DICHROIC GLASSES SHALL BE CHANGED IF THEY HAVE BECOME VISIBLY DAMAGED TO SUCH AN EXTENT THAT THEIR EFFECTIVENESS IS IMPAIRED, FOR EXAMPLE BY CRACKS OR DEEP SCRATCHES.
- THE LUMINAIRE SHALL ONLY BE USED COMPLETE WITH ITS PROTECTIVE SHIELD

D. Applying power:

Never connect to dimmer power. Install a power plug on the power cable using the following pin assignment:

1 : Neutral 2 : Live Green/Yellow : Ground - This fixture must be connected to ground.

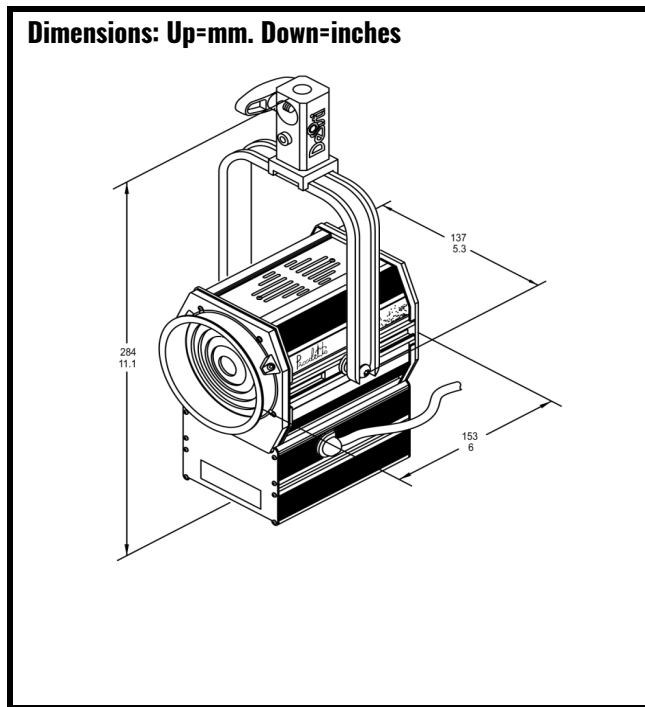
Make sure the local power voltage is within the range specified. If so; connect the power cable and turn the power on.

6. CHARACTERISTICS AND PERFORMANCE DATA

DESCRIPTION	VALUE	DESCRIPTION	VALUE
⇒ LED Power	30 W	⇒ Protection Type	IP 22
⇒ Power Consumption	32W @ 230 V 35W @ 120 V	⇒ Max Housing surface temperature	60 °C
⇒ DMX Data link USITT DMX512-A	⇒ This product uses a 5-pin XLR for DMX input and output. ⇒ Use a shielded data cables. ⇒ Do not overload the daisy chain. Up to a maximum of 32 devices can be used on a single DMX chain.	⇒ Weight of Fixture	INCLUDED YOKE 0,95 kg.
		⇒ Weight of barndoor	4 leaf 0,1 kg.
⇒ DMX Channels:	⇒ 1 at 8bit	⇒ Lens diameter	80 mm.
⇒ Protection Class	Class 1– ground connection required	Size of scrims & color frame	Seat Diameter 98 mm.
			Acc.ies Diameter 80 mm (7 ¹ / ₄)
		Size of barndoor ring	Seat Diameter 102 mm.
			Ring Diameter 78 mm.

Specifications subject to change without notice.

7. DIMENSIONS



8. PERIODIC INSPECTION & MAINTENANCE

This product requires very little routine maintenance, if any, but has special cleaning instructions: Disconnect fixture from power and allow it to cool for 10 min.

1. Vacuum or gently blow away any dust from fan blades and grills
2. Very gently clean the LED with Isopropyl alcohol.
3. Clean the lenses with a soft damp cloth.
4. Check the condition of the safety shield (see chapter: Installation Instructions) before every use.
5. Check Power supply cable and DMX control cable proper conditions

9. SAFETY STANDARDS

Europe: The product conforms the Applicable European Directives & Standards

- ⇒ Low Voltage Directive: 73/23/EEC (as amended by 93/68/EEC)
- ⇒ EMC Directive: 89/336/EEC (as amended by 92/31/EEC & by 93/68/EEC)
- ⇒ European Standards: EN 60598-2-17, EN 60598-1, EN 55015, EN 61547

Disposing of this product:

Help preserve the environment! Ensure that this product is recycled at the end of its life.

This product is in compliance with the RoHS and WEEE directives.

