

Piccoletto **F**



DATASHEET

DeSisti

Piccoletto F

The Miniature LED Fresnel 30W - CRI>96

White light, either Tungsten or Daylight balanced CCT

OVERVIEW

Piccoletto in Italian translates to Very Small. It was the nickname given to Mario De Sisti the beloved founder of DeSisti by the Cinecittà Studio gaffers in the 1950's when Mario started working at age ten. The Piccoletto commemorates Mario DeSisti's exceptional career and achievements in the professional lighting industry as a designer and innovator.

The Piccoletto name is engraved with Mario's personal handwriting to help preserve his legacy as the genius behind one of the leading international lighting brands in the World.

Mario De Sisti → Piccoletto

The PICCOLETTO is a high efficiency Fresnel lens spotlight using a High Output 30W COB (Chip on Board) LED ARRAY and with an enhanced CRI (Colour Rendering Index) higher than 96 for appropriate chromacity performances. The PICCOLETTO is available with either Tungsten (3.200°K) or Daylight (5.600°K) Balanced CCT (Correlated Colour Temperature), in both cases with a CRI higher than 96. The fixture combines the classical SPOT/FLOOD beam control on an equivalent FOCUS RANGE to a conventional lamp Fresnel, with an excellent barn door cutting

MODEL	DESCRIPTION
100T.F	Piccoletto T DMX - Tungsten CCT, Manual Operated
100T.FT	Piccoletto T DMX - Tungsten CCT, Track mount
100D.F	Piccoletto D DMX - Daylight CCT, Manual Operated
100D.FT	Piccoletto D DMX- Daylight CCT, Track mount



WHAT'S INSIDE

FIXTURE HEAD

80 mm. (3-5/32") diameter Fresnel lens
Local Potentiometer Control and Remote DMX Control
2 m. power cord 3x0,5 sqmm. bare ends
XLR 5 Pin DMX IN & OUT PANEL CONNECTORS.
30W high power CRI>96 LED
Built In Universal Power Supply 90-250V
50/60Hz DMX controlled.
Plug for 14,5V DC battery control

YOKES

Manual Operated Versions

Mod. 100.110.40 M.O. stirrup with with 16 mm. (5/8") Receiver (Socket)

Track Mount Versions

M.O. stirrup with hole to accept track adapter mounting.
DMX and Mains Cables are guided on the yoke and with bare ends to mount on track adapter

ACCESSORIES

Mod. 106.100 four leaf rotating barndoor

DMX cable is not included, to be ordered separately

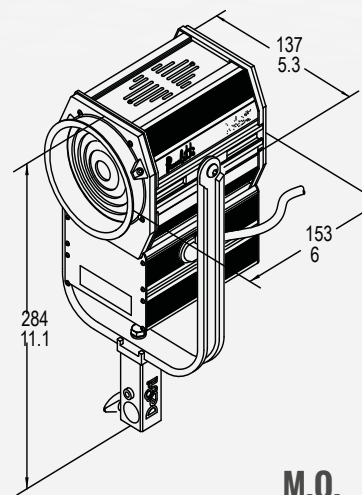
DeSisti

Piccoletto F

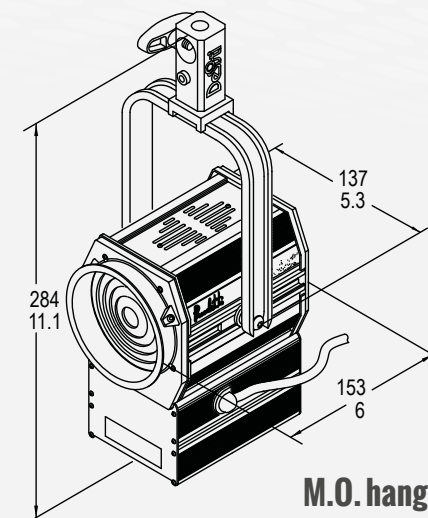
FEATURES

Power to LED	30W - DC current to the LED - flicker free
Rated Voltage & PFC	90-250V 50-60Hz PFC 0,96
Power consumption	32W @ 230V 35W @120V
Power Cable	2 m. power cord 3x0,5 sqmm
DMX Data link USITT DMX512-A	5-pin XLR for DMX in & out. Use shielded data cables. Do not overload the daisy chain. Up to a maximum of 32 devices can be used on a single DMX chain.
DMX Channels	1 @ 8bit
LED ARRAY Lifetime	55.000 hours with 90% Lumen Maintenance. The LED ARRAYS are tested and certified up to LM80
CCT	T: 3.200°K D: 5.600°K
CRI / TLCI	T: 97 / 96 D: 96 / 97
Protection Type	IP20
Max. Housing Surface Temperature	60° C
Weight of Fixture included yoke	1,27 Kg (2.8 lb)
Weight of Barndoor	4 leaf 0,1 Kg (0.22 lb)
Lens diameter	80mm / 3-5/32"

DIMENSION



M.O.



M.O. hanged

FEATURES

80 mm diameter high quality, shock resistant Borosilicate glass Fresnel lens.

DMX Control and XLR 5pin In & Out connectors

14,5V DC Battery plug for battery operation

The Light Levels with the Daylight LED are in excess of 290 lux at 3 m. distance with an exceptionally wide flood (more than 69° Beam angle) and in excess of 1.100 lux in full Spot. The quality of the distribution is at TOP LEVEL

Rugged and Lightweight aluminium housing with low glare black epoxy powder coating, internal double walls and reinforces, an exact miniature of bigger lights.

1,3 kg. Self Weightthis value is including the 4 leaves rotating Barndoor.

High efficiency Self Stabilizing Active Cooling: Automatic, thermal stabilization of the LED operating temperature is managed by an internal thermal sensor and CPU, variable speed fan and heat sink to maintain the LED Array's constant temperature at a maximum of 65°C. The hydro dynamic bearing fan operates silently with a very low RPM.

Special Patented Optics for LED Technology.

Linear Bearing sliding focus mechanism which guides the LED ENGINE. This ensures smooth operation during focusing, in any tilting position of the fixture.

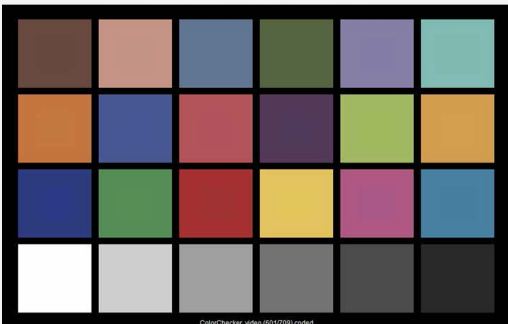
The accessories are secure regardless of the orientation of the fixture. Accessories have been designed for one hand installation.

Piccoletto F

TLCI

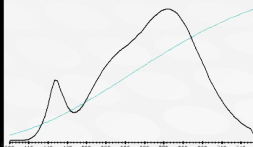
TUNGSTEN CCT

De Sisti PICCOLETTO - 30W - Tungsten : CCT = P3005 (+0.3)
TLCI-2012: 96 (P3005)



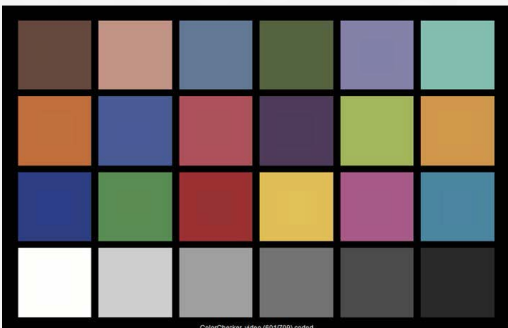
Television Lighting Consistency Index-2012

Sector	Lightness	Chroma	Hue
R	0	0	0
RY	0	0	--
Y	0	-	-
YIG	0	-	0
G	0	0	+
GIC	0	0	+
C	0	0	++
CIB	+	0	-
B	0	-	-
BIM	+	-	+
M	0	0	+++
MIR	+	0	++



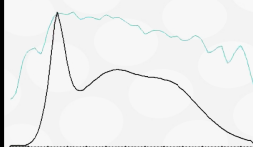
DAYLIGHT CCT

De Sisti PICCOLETTO - 30W - Daylight : CCT = D5851 (+0.8)
TLCI-2012: 97 (D5851)



Television Lighting Consistency Index-2012

Sector	Lightness	Chroma	Hue
R	0	0	0
RY	0	0	--
Y	0	0	-
YIG	0	0	0
G	0	0	0
GIC	0	0	0
C	0	0	-
CIB	+	0	---
B	0	-	-
BIM	0	0	+
M	0	0	0
MIR	+	0	0



PHOTOMETRICS

// Piccoletto F

Central Light intensity (Candle Power)

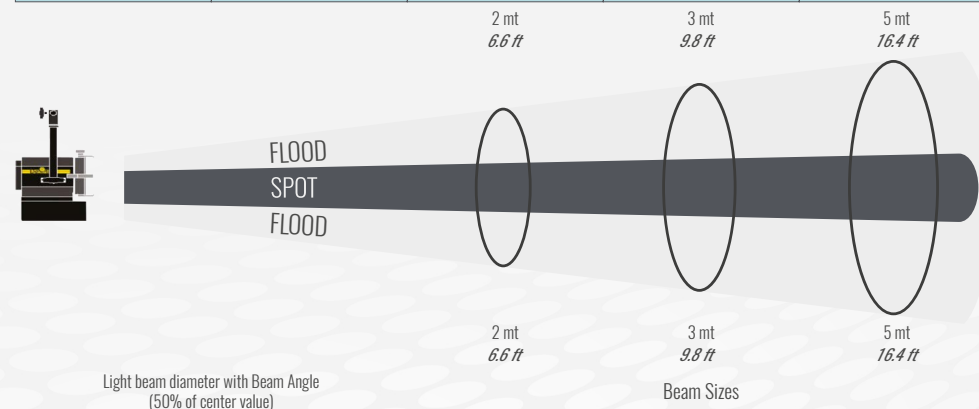
Illumination center values at Distances

3.200°K TUNGSTEN BALANCED C.C.T. (Correlated Color Temperature) - 30W (CRI 97) - TLCI: 96

	Central Light intensity (Candle Power)	2 mt 6.6 ft	3 mt 9.8 ft	5 mt 16.4 ft
FLOOD	2.646 cd	662 lux <i>61 FC</i>	294 lux <i>27 FC</i>	106 lux <i>10 FC</i>
SPOT	10.431 cd	2.608 lux <i>242 FC</i>	1.159 lux <i>108 FC</i>	417 lux <i>39 FC</i>

5.600°K DAYLIGHT BALANCED C.C.T. (Correlated Color Temperature) - 30W (CRI 96) - TLCI: 97

	Central Light intensity (Candle Power)	2 mt 6.6 ft	3 mt 9.8 ft	5 mt 16.4 ft
FLOOD	2.943 cd	736 lux <i>68 FC</i>	327 lux <i>30 FC</i>	118 lux <i>11 FC</i>
SPOT	11.592 cd	2.898 lux <i>269 FC</i>	1.288 lux <i>120 FC</i>	464 lux <i>43 FC</i>



LUX AT ANY DISTANCE = Candle Power: [Distance(in m.)]²

FC. AT ANY DISTANCE = Candle Power: [Distance(in ft)]²

Piccoletto **F**

OPTIONALS & ACCESSORIES

106.100	Four leaf rotating barndoor
106.200	Eight way rotating barndoor
5402.503	DMX DAISY CHAIN CABLE 3 mt. (10') LONG, including: - 3 mt. (10') cable terminated with XLR 5 pin Connectors (male and female) at the ends, to allow daisy chain of DMX fixtures.
Mains / DMX Adapter c/W Ass'y	Supply of MAINS / DMX Adapter for E-Track Black, including Assembling onto the Lighting Fixture's Yoke, connections and testing
EUT-225-20-2	E-TRACK Mains/DMX Black Track 2m. Long 7-conductor surface track for three circuits plus data bus, black color
EUT-225-30-2	E-TRACK Mains/DMX Black Track 3 mt. Long 7-conductor surface track for three circuits plus data bus, black color
EUT-225-40-2	E-TRACK Mains/DMX Black Track 4 mt. Long 7-conductor surface track for three circuits plus data bus, black color
EUT-555-2-1206-2	Linear Junction for E-TRACK Mains/DMX Black Straight coupler
EUT-555-2-1201-2	End feed right black for E-TRACK Mains/DMX Black
EUT-555-0-1217-2	End cup black for E-TRACK Mains/DMX Black
EUT-99-075-2	Pendant clip black for suspension by steel wire or pendant rod, incl. M13 x 1 nut material: aluminium anodized or powder coated for E-TRACK Mains/DMX Black
Color option	SPECIAL COLOR ADDER COST Option for PICCOLETTO Choice between - White / Silver / Gold / Chrome Some Functional Parts of the product will remain of the original material color or black painted. Please verify with DE SISTI the exact COLORATION on a sample unit