

SUPER LED F14HP



DATASHEET

DeSisti

SUPER LED F14HP

LED Fresnel Spotlight 580W - CRI>95
White light, either Tungsten or Daylight balanced

OVERVIEW

The Super LED F14HP is a high efficiency Fresnel lens spotlight using the innovative High Power 580W COB (Chip on Board) LED ARRAY, in combination with the DE SISTI Internationally Patented optical system for LED FRESNEL and with an enhanced CRI (Color Rendering Index) higher than 95 for appropriate chromacity performances.

The Lighting Fixture is DMX Controlled from 0 to 100% with a super smooth Dimming and a negligible variation of Colour Temperature while controlling the Light intensity.

The F14HP is available with either Tungsten (3.200°K) or Daylight (5.600°K) Balanced CCT (Correlated Color Temperature), in both cases with a CRI higher than 95 and both in Manual or Pole operated versions.

The lighting Performances of the Tungsten Balanced CCT from medium to full flood are similar to those of a 5000W tungsten Fresnels, while the Daylight Balanced CCT is similar to a 1500W HMI. The fixture combines the classical SPOT/FLOOD beam control on an equivalent FOCUS RANGE to a conventional lamp fresnel, with an excellent barn door cutting.

It utilizes Standard accessories from the DE SISTI range of equivalent Fresnel Lens size, such as Barndoor, Color Frame, Cones, Scrim.

MODEL	DESCRIPTION
F14THP.MO	Super LED F14HP T - Tungsten CCT, Manual Operated
F14THP.PO	Super LED F14HP T - Tungsten CCT, Pole Operated
F14DHP.MO	Super LED F14HP D - Daylight CCT, Manual Operated
F14DHP.PO	Super LED F14HP D - Daylight CCT, Pole Operated



WHAT'S INSIDE

FIXTURE HEAD

350 mm. (14") diameter Fresnel lens
POWERCON IN & OUT PANEL CONNECTORS.
XLR 5 Pin DMX IN & OUT PANEL CONNECTORS.
580W high power CRI>95
Built In Universal Power Supply 90-250V
50/60Hz DMX controlled.

YOKES

Manual Operated Versions

Mod. LT350.110.40 M.O. yoke with 28,57 mm (B.S. 1 1/8") with top end for "C" clamp

Pole Operated Versions

Mod. 351.110.40 P.O. yoke with 28,57 mm. spigot (B.S. 1 1/8"), with top end for "C" clamp

ACCESSORIES

Mod. 356.110 four leaf rotating barndoor
Mod. 357.300 color frame

CABLES

Mod. 5403.135 3 mt. (9.8 ft) detachable Blue POWERCON power cable with bare ends.

DMX cable is not included, to be ordered separately

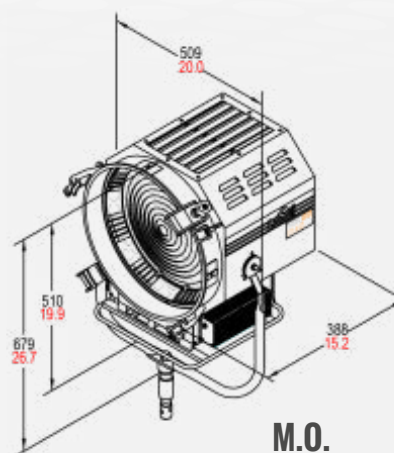
DeSisti

SUPER LED F14HP

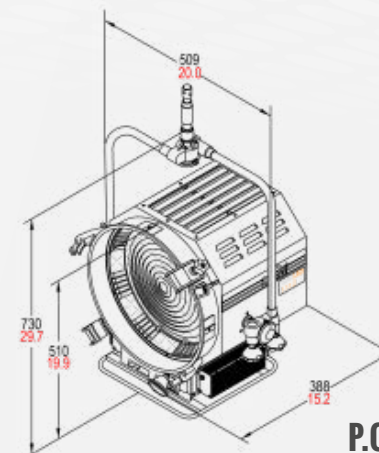
FEATURES

Power to LED	580W - DC current to the LED - flicker free
Rated Voltage & PFC	90-250V 50-60Hz PFC 0,96
Power consumption	630W @ 230V 630W @120V
Power Connection	powerCON IN & OUT
DMX Data link USITT DMX512-A	5-pin XLR for DMX in & out. Use shielded data cables. Do not overload the daisy chain. Up to a maximum of 32 devices can be used on a single DMX chain.
DMX Channels	1 @ 8bit 2 @ 16bit
LED ARRAY Lifetime	50.000 hours with 70% Lumen Maintenance. The LED ARRAYS are tested and certified up to LM80
CCT	T: 3.200°K D: 5.600°K
CRI / TLCI	T: 97 / 96 D: 96 / 97
Protection Type	IP20
Max. Housing Surface Temperature	70° C
Weight of Fixture	M.O. 18,5 Kg (40.8 lb) P.O. 20,0 Kg (44.1 lb)
Weight of Barndoor	4 leaf 1,85 Kg (4.08 lb) 8 leaf 2,1 Kg (4.63 lb)
Weight of color frame	0,5 Kg (1.10 lb)
Barndoor ring diameter	Seat: 402mm / 15 4/5" - Accessory: 399mm / 15 2/3"
Scrims & color frame diameter	Seat 395mm / 15 1/2" - Accessory: 393mm / 15 1/2"
Lens diameter	350mm / 14"

DIMENSION



M.O.



P.O.

FEATURES

350 mm. (14") diameter high quality, shock resistant Borosilicate glass Fresnel lens on spring supports.

Rugged and lightweight Carbon Steel Housing with low glare black epoxy powder coating and reinforces internal double walls.

High efficiency Self Stabilizing Active Cooling: automatic, thermal stabilization of the LED operating temperature is managed by an internal thermal sensor and CPU, variable speed fan and heat sink to maintain the LED Array's constant temperature at a maximum of 65°C. The hydro dynamic bearing fan operates silently with a very low RPM.

Special Patented Optics for LED Technology.

Helix Screw driven focus mechanism which guides Teflon bushings supported LED ENGINE along 2 rods. This ensures smooth operation during focusing in any tilting position of the fixture. The Teflon bushings also provide a wiping action, which cleans the steel guide rails during focus.

The unit is equipped with a hinged lens door and wire guard. One of the 4 accessory brackets has a spring loaded locking knob to safely secure external accessories.

Accessories have been designed for one hand installation.

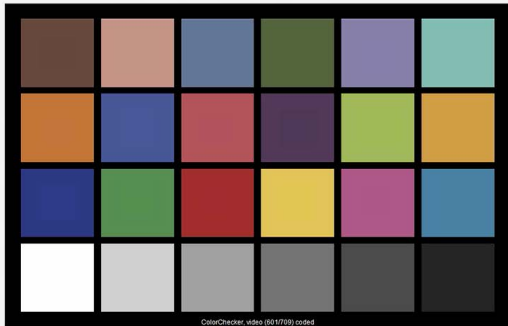
Available with either positive lock manual yokes for comfort and ease of handling, or pole operated yokes which can be used via the lighting pole for Panning and Tilting the lights as well as manually, since the mechanical activators are equipped with clutches.

SUPER LED F14HP

TLCI

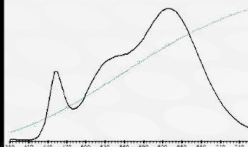
TUNGSTEN CCT

De Sisti SUPER LED F14HP - 580W - Tungsten : CCT = P3105 (+0.4)
TLCI-2012: 96 (P3105)



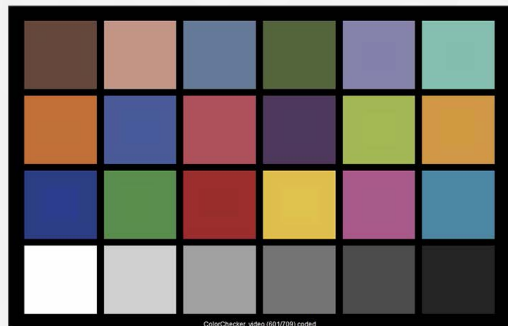
Television Lighting Consistency Index-2012

Sector	Lightness	Chroma	Hue
R	0	0	0
RY	0	0	0
Y	0	0	0
YG	0	0	0
G	0	0	0
G/C	0	0	+
C	0	0	+
C/B	0	0	0
B	0	-	-
BM	0	0	+
M	0	0	+
M/R	0	0	+



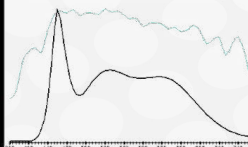
DAYLIGHT CCT

De Sisti SUPER LED F14HP - 580W - Daylight : CCT = D5651 (+0.7)
TLCI-2012: 95 (D5651)



Television Lighting Consistency Index-2012

Sector	Lightness	Chroma	Hue
R	0	0	0
RY	0	0	-
Y	0	0	-
YG	0	0	0
G	0	0	0
G/C	0	0	0
C	0	0	-
C/B	0	-	---
B	0	-	0
BM	0	+	0
M	0	0	0
M/R	0	0	0



PHOTOMETRICS

// SUPER LED F14 HP

Central Light intensity (Candle Power)

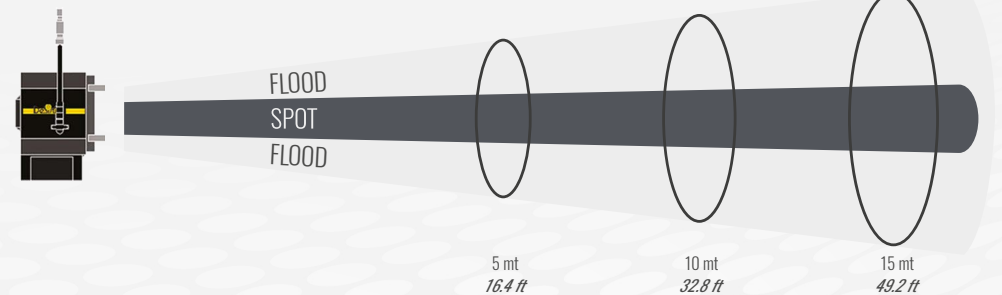
Illumination center values at Distances

3.200°K TUNGSTEN BALANCED C.C.T. (Correlated Color Temperature) - 580W (CRI 97) - TLCI: 96

	Central Light intensity (Candle Power)	5 mt 16.4 ft	10 mt 32.8 ft	15 mt 49.2 ft
FLOOD	84.600 cd	3.384 lux <i>314 FC</i>	846 lux <i>79 FC</i>	376 lux <i>35 FC</i>
SPOT	490.500 cd	19.620 lux <i>1,823 FC</i>	4.905 lux <i>456 FC</i>	2.180 lux <i>203 FC</i>

5.600°K DAYLIGHT BALANCED C.C.T. (Correlated Color Temperature) - 580W (CRI 95) - TLCI: 95

	Central Light intensity (Candle Power)	5 mt 16.4 ft	10 mt 32.8 ft	15 mt 49.2 ft
FLOOD	99.000 cd	3.960 lux <i>368 FC</i>	990 lux <i>92 FC</i>	440 lux <i>41 FC</i>
SPOT	552.600 cd	22.104 lux <i>2,054 FC</i>	5.526 lux <i>513 FC</i>	2.456 lux <i>228 FC</i>



Light beam diameter with Beam Angle (50% of center value)

	Beam Angle	5 mt 16.4 ft	10 mt 32.8 ft	15 mt 49.2 ft
FLOOD	42°	3,84 mt <i>12.6 ft</i>	7,68 mt <i>25.2 ft</i>	11,52 mt <i>46.9 ft</i>
SPOT	11°	0,96 mt <i>3.2 ft</i>	1,93 mt <i>6.3 ft</i>	2,89 mt <i>9.5 ft</i>

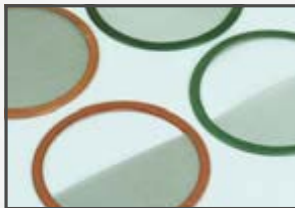
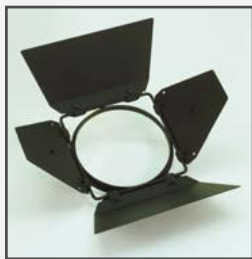
Light beam diameter with Field Angle (10% of center value)

	Field Angle	5 mt 16.4 ft	10 mt 32.8 ft	15 mt 49.2 ft
FLOOD	70°	7,00 mt <i>23.0 ft</i>	14,00 mt <i>45.9 ft</i>	21,01 mt <i>68.9 ft</i>
SPOT	17°	1,49 mt <i>4.9 ft</i>	2,99 mt <i>9.8 ft</i>	4,48 mt <i>14.7 ft</i>

LUX AT ANY DISTANCE = Candle Power: [Distance(in m.)]²

FC. AT ANY DISTANCE = Candle Power: [Distance(in ft)]²

SUPER LED F14HP



OPTIONALS & ACCESSORIES

F14XHP.XO.DIN	adder code to order DIN Spigot
355.310	Stainless Steel wire guard
356.110	Four leaf rotating barndoor
356.210	Eight way rotating barndoor
357.300	Color Frame
358.100	Cone with two discs (with front aperture diameter: 70 mm. 50 mm. 30 mm.)
359.100	Set of scrims - Stainless steel
359.101	Full single scrim - Stainless steel
359.102	Full double scrim - Stainless steel
359.103	1/2 single scrim - Stainless steel
359.104	1/2 double scrim - Stainless steel
397.100	Outrigger color frame
397.110	Outrigger color frame holding kit
91.210	Aluminum black painted "C" clamp to hang fixtures overhead and for mounting on pipe with diameters up to 52 mm. (2"), with safety pin (no adapters)
20.100	Safety cable 800 mm. long with 4 mm. diameter steel rope and safety catch.
LT350.110.40	Steel tube Manual Operated stirrup with 28,57 mm. spigot (B.S. 1 1/8"), with top end for attachment to "C" clamp.
LT350.300.40	Steel tube Manual Operated stirrup with 28,00 mm. spigot (D.I.N 1 1/9")
LT350.220.40	Steel tube Manual Operated stirrup with M 12 Threaded hole
LT351.110.40	Pole operated stirrup with 28,57 mm. spigot (B.S. 1 1/8"), with top end for attachment to "C" clamp.
351.300.40	Pole operated stirrup with 28,00 mm. spigot (D.I.N 1 1/9")