

EXTERIOR PROJECTION 500

FULLY WEATHERIZED OUTDOOR LED LIGHTING FIXTURE

SPEC SHEET



HIGHLIGHTS

- Flat-field, high-contrast image projection
- Fully weatherized for trouble-free use with minimal maintenance in outdoor installations
- Packed with features, allowing huge creativity in setting up exciting lighting effects

OVERVIEW

The Exterior™ Projection 500 is a powerful fixture for integrating textures, patterns and graphics in outdoor lighting designs. The fixture can be used for bright and dynamic logo projection as well as precision framing. Using advanced LED technology, it offers outstanding energy efficiency, compact size and unlimited creative possibilities.

KEY MESSAGES

FOUR BEAM ANGLES

From 12° to 51°, select the right beam angle for the specific installation allowing for best possible image projection.

MULTIPLE EFFECTS LAYERS

Allows a range of lighting effects creativity many different looks can be achieved with the same fixture.

GOBO ACCESSIBILITY

The accessible service lid decreases cost, time, and risk to change gobos and colors.

FULLY CONVECTION-COOLED IP66 HOUSING

Ideal for minimal maintenance, low total cost of ownership, and resiliency to weather and other environmental conditions.

EXTERIOR PROJECTION 500

FULLY WEATHERIZED OUTDOOR LED LIGHTING FIXTURE

SPEC SHEET

FEATURES

- Up to 6100 lumens output with 4 beam angles variants from narrow to wide
- Powerful close-range and long-range projection
- Flat-field, high-contrast image projection based on high-power LED engine
- 4 layers of versatile dynamic effects (colors, gobo projection, gobo animation, prisms/frost)
- Crisp image projection
- Rugged IP66-rated housing
- Minimal maintenance –low total cost of ownership

ORDERING INFORMATION

EU MODELS

- Exterior Projection 500, Narrow, EU, Aluminum: P/N 90506500
- Exterior Projection 500, Medium, EU, Aluminum: P/N 90506505
- Exterior Projection 500, Wide, EU, Aluminum: P/N 90506510
- Exterior Projection 500, Very Wide, EU, Aluminum: P/N 90506535
- Exterior Projection 500, Narrow, EU, White: P/N 90506540
- Exterior Projection 500, Medium, EU, White: P/N 90506545
- Exterior Projection 500, Wide, EU, White: P/N 90506550
- Exterior Projection 500, Very Wide, EU, White: P/N 90506555

US MODELS

- Exterior Projection 500, Narrow, US, Aluminum: P/N 90506515
- Exterior Projection 500, Medium, US, Aluminum: P/N 90506520
- Exterior Projection 500, Wide, US, Aluminum: P/N 90506525
- Exterior Projection 500, Very Wide, US, Aluminum: P/N 90506530

ACCESSORIES

- Exterior Projection 500 Glare Shield, Aluminum: P/N 91611767
- Projection Setup Gobo: P/N 91616068
- EP-500, Manual Framing Module: P/N 91611842

SPARE PARTS

- Silica gel desiccant bag in sealed foil pack: P/N 37220000
- Goboholder with magnet incl. washer, short spring & long spring: P/N 50481990
- Goboholder without magnet incl. washer, short spring & long spring: P/N 50481992



HARMAN PROFESSIONAL DENMARK APS • OLOF PALMES ALLÉ 18 • 8200 AARHUS N • DENMARK
HARMAN PROFESSIONAL SOLUTIONS U.S. • 8500 BALBOA BOULEVARD • NORTHRIDGE • CA 91329 • USA

©2018 HARMAN Professional Denmark ApS. All rights reserved. Martin is a registered trademark of HARMAN Professional Denmark ApS registered in the United States and/or other countries. Features, specifications, and appearance are subject to change without notice.

Martin
by HARMAN

EXTERIOR PROJECTION 500

FULLY WEATHERIZED OUTDOOR LED LIGHTING FIXTURE

SPEC SHEET

TECHNICAL SPECIFICATIONS

DYNAMIC EFFECTS

| | |
|---------------------|--|
| Color wheel | 8 interchangeable colors + open |
| Gobo wheel | 6 rotating gobos plus open, indexing, variable rotation |
| Gobo animation | Variable speed linear animation effect |
| Prism | Prism wheel with 2 interchangeable prisms, prism rotation and indexing |
| Frost (wash effect) | Motorized variable |
| Focus | Motorized, variable 3 m (9.8 ft.) to infinity |
| Shutter | Strobe and pulse effects, instant open and blackout |
| Dimming | Electronic, constantly variable 0-100%, 16-bit control |

CONTROL AND PROGRAMMING

| | |
|--------------------------------------|---|
| Control options | DMX, RDM, standalone |
| DMX channels | 13 |
| Configuration, addressing and status | Onboard control panel with OLED display |
| Control resolution | 8-bit DMX control 16-bit DMX control of intensity, focus and gobo rotation/indexing angle. |
| DMX compliance | USITT DMX512-A |
| RDM compliance | ANSI/ESTA E1.20 |

OPTICS

| | |
|-----------------------------|---|
| Light source | 230 W white light LED engine |
| LED manufacturer | Prolight Opto |
| CRI (Color Rendering Index) | 72 |
| Color temperature | 8300 K |
| LED lifetime | 20 000 hours (to >70% luminous output)* |

*Figure obtained under manufacturer's test conditions

PHOTOMETRIC DATA

| | Cut-off angle | Total output | Center peak |
|-----------|---------------|--------------|-------------|
| Narrow | 12° | 5000 lumens | 203 000 cd |
| Medium | 22° | 6100 lumens | 77 000 cd |
| Wide | 37° | 5700 lumens | 28 000 cd |
| Very Wide | 51° | 3400 lumens | 11 000 cd |

CONSTRUCTION

| | |
|----------------------|--|
| Housing | Cast aluminum |
| Finish | Hard anodized, metallic grey lacquered |
| Front glass | 5 mm (0.2 in.) anti-reflection coated tempered glass |
| Ingress protection | IP66 |
| Corrosion resistance | C5-M (very high corrosivity / marine, ISO 12944) |

| | |
|--------------------------------|---|
| Impact resistance | IK08 (with control panel display cover plate installed) |
| EPA (Effective Projected Area) | 0.15 m ² |
| RoHS compliant | |

GOBOS

| | |
|-------------------------------|---|
| Suitable material | Borosilicate glass, coatings heat-resistant to 450°C (842° F) |
| Alternative material | Aluminum 1060, paint on front lens side, 450° C (842° F) HT paint |
| Gobo diameter | 30.0 mm +0/-0.3 mm (1.2 in. +0/-0.02 in.) |
| Maximum image diameter | 23 mm (0.91 in.) |
| Glass gobo thickness, minimum | 1.1 mm ±0.1 mm (0.045 ±0.004 in.) |
| Glass gobo thickness, maximum | 3.0 mm ±0.3 mm (0.12in. ± 0.012 in.) |
| Aluminum gobo thickness | 0.5 mm ± 0.02 mm (0.020 in. ± 001 in.) |

INSTALLATION

| | |
|--|--|
| Orientation | Any (sides must be kept vertical) |
| Mounting | Adjustable yoke |
| Minimum distance to illuminated surfaces | 0.5 m (20 in.) |
| Location | Suitable for wet locations. Do not immerse in water. |

CONNECTIONS

| | |
|-------------------|---|
| Power cable entry | IP68 cable gland |
| Power connection | 1.8 m (5.9 ft.) cable tail with bare ends |
| Power cable type | EU models: H07RN-F 450/700V, Ø10 mm US models: SJTW 14AWG, 300V, Ø9.3 mm |
| Data cable entry | IP68 cable gland |
| Data connection | 1.8 m (5.9 ft.) combined input + output cable tail with bare ends |

ELECTRICAL

| | |
|---|-------------------------------------|
| AC power | 100-240/277 V nominal, 50/60 Hz |
| Power supply | Auto-ranging electronic switch-mode |
| Typical half-cycle RMS inrush current | 8.4 A |
| Surge protection | 4 kV |
| Idle power (zero intensity, no effects applied) | 32 W, 0.3 A |

TYPICAL POWER AND CURRENT

| | |
|--------------|------------------------|
| 110 V, 60 Hz | 320 W, 2.9 A, PF 0.977 |
| 230 V, 50 Hz | 310 W, 1.4 A, PF 0.971 |
| 277 V, 60 Hz | 305 W, 1.2 A, PF 0.950 |

Figures are typical, not maximum. Measurements made at nominal voltage with all LEDs at full intensity. Allow for a deviation of +/- 10%.

EXTERIOR PROJECTION 500

FULLY WEATHERIZED OUTDOOR LED LIGHTING FIXTURE

SPEC SHEET

TECHNICAL SPECIFICATIONS

THERMAL

Cooling Convection, internal forced air

Maximum ambient temperature
[Ta max.] 45° C [113° F] *

Minimum ambient temperature
[Ta min.] -30° C [-22° F]**

*Above this temperature, the fixture regulates output to protect from overheating.

**For instant wake-up with no warm-up mode, leave power applied constantly in ambient temperatures below 0° C [32° F]

APPROVALS

EU safety EN 60598-2-1, EN 60598-2-5
(EN 60598-1), EN 62471, EN 62493

EU EMC EN 55015, EN 55032, EN 55103-2,
EN 61000-3-2, EN 61000-3-3,
EN 61000-4-2, EN 61000-4-3,
EN 61000-4-4, EN 61547

US safety ANSI/UL 1598

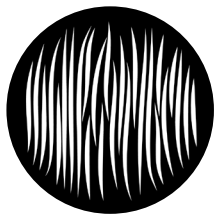
US EMC CFR 47 Part 15 Class A

Canadian safety CSA C22.2 No 250.0

Australia/NZ RCM



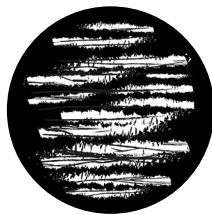
GOBO WHEEL



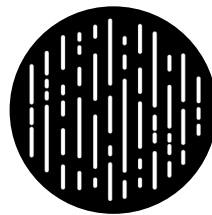
Gobo 1:
Grass Lines



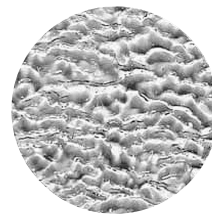
Gobo 2:
Organic Delights



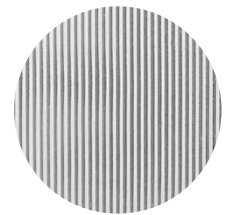
Gobo 3:
Brush It



Gobo 4:
Light Lines

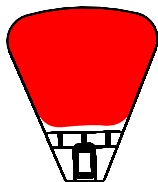


Gobo 5:
Ripple Structure Glass

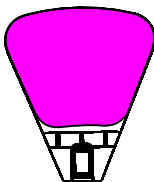


Gobo 6:
Lined Effect Glass

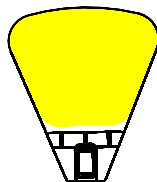
COLOR WHEEL



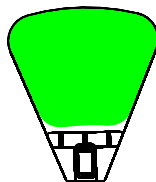
Slot 1:
Red



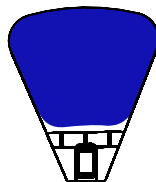
Slot 2:
Magenta



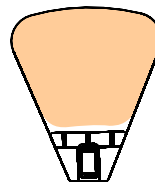
Slot 3:
Yellow



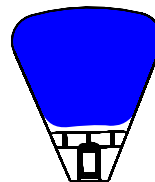
Slot 4:
Green



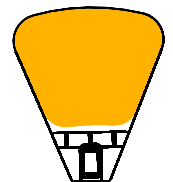
Slot 5:
Dark Blue



Slot 6:
CTO



Slot 7:
Cyan



Slot 8:
Orange

EXTERIOR PROJECTION 500

FULLY WEATHERIZED OUTDOOR LED LIGHTING FIXTURE

SPEC SHEET

PROJECTION DATA - GOBO WITH MAX. IMAGE SIZE

NARROW BEAM ANGLE (12°) MODEL

| Distance to projection surface | 4 m (13 ft.) | 6 m (20 ft.) | 8 m (26 ft.) | 10 m (33 ft.) | 12 m (39 ft.) | 14 m (46 ft.) | 16 m (53 ft.) | 18 m (59 ft.) | 20 m (66 ft.) |
|-------------------------------------|--------------|--------------|--------------|---------------|---------------|---------------|---------------|---------------|---------------|
| Projection diameter in meters (ft.) | 0.8 (2.6) | 1.2 (3.8) | 1.5 (5.1) | 1.9 (6.3) | 2.3 (7.6) | 2.7 (8.9) | 3.1 (10.2) | 3.5 (11.4) | 3.9 (12.7) |
| Center illuminance in lux | 12688 | 5639 | 3172 | 2030 | 1410 | 1036 | 793 | 627 | 508 |
| Center illuminance in candela | 1179 | 524 | 295 | 189 | 131 | 96 | 74 | 58 | 47 |

MEDIUM BEAM ANGLE (22°) MODEL

| Distance to projection surface | 4 m (13 ft.) | 6 m (20 ft.) | 8 m (26 ft.) | 10 m (33 ft.) | 12 m (39 ft.) | 14 m (46 ft.) | 16 m (53 ft.) | 18 m (59 ft.) | 20 m (66 ft.) |
|-------------------------------------|--------------|--------------|--------------|---------------|---------------|---------------|---------------|---------------|---------------|
| Projection diameter in meters (ft.) | 1.4 (4.7) | 2.1 (7.0) | 2.9 (9.4) | 3.6 (11.7) | 4.3 (14.1) | 5.0 (16.4) | 5.7 (18.8) | 6.4 (21.1) | 7.2 (23.5) |
| Center illuminance in lux | 4813 | 2139 | 1203 | 770 | 535 | 393 | 301 | 238 | 193 |
| Center illuminance in candela | 447 | 199 | 112 | 72 | 50 | 36 | 28 | 22 | 18 |

WIDE BEAM ANGLE (37°) MODEL

| Distance to projection surface | 4 m (13 ft.) | 6 m (20 ft.) | 8 m (26 ft.) | 10 m (33 ft.) | 12 m (39 ft.) | 14 m (46 ft.) | 16 m (53 ft.) | 18 m (59 ft.) | 20 m (66 ft.) |
|-------------------------------------|--------------|--------------|--------------|---------------|---------------|---------------|---------------|---------------|---------------|
| Projection diameter in meters (ft.) | 2.5 (8.1) | 3.7 (12.1) | 4.9 (16.2) | 6.2 (20.2) | 7.4 (24.2) | 8.6 (28.3) | 9.9 (32.3) | 11.1 (36.4) | 12.3 (40.4) |
| Center illuminance in lux | 1750 | 778 | 438 | 280 | 194 | 143 | 109 | 86 | 70 |
| Center illuminance in candela | 163 | 72 | 41 | 26 | 18 | 13 | 10 | 8 | 7 |

VERY WIDE ANGLE (51°) MODEL

| Distance to projection surface | 4 m (13 ft.) | 6 m (20 ft.) | 8 m (26 ft.) | 10 m (33 ft.) | 12 m (39 ft.) | 14 m (46 ft.) | 16 m (53 ft.) | 18 m (59 ft.) | 20 m (66 ft.) |
|-------------------------------------|--------------|--------------|--------------|---------------|---------------|---------------|---------------|---------------|---------------|
| Projection diameter in meters (ft.) | 3.5 (11.5) | 5.3 (17.3) | 7.0 (23.0) | 8.8 (28.8) | 10.5 (34.6) | 12.3 (40.3) | 14.0 (46.1) | 15.8 (51.8) | 17.6 (57.6) |
| Center illuminance in lux | 688 | 306 | 172 | 110 | 76 | 56 | 43 | 34 | 28 |
| Center illuminance in candela | 64 | 28 | 16 | 10 | 7 | 5 | 4 | 3 | 3 |

EXTERIOR PROJECTION 500

FULLY WEATHERIZED OUTDOOR LED LIGHTING FIXTURE

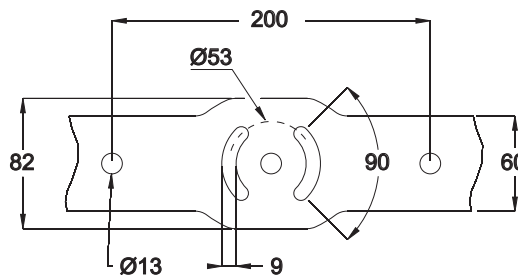
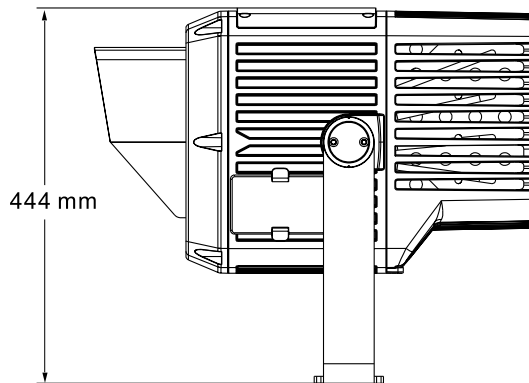
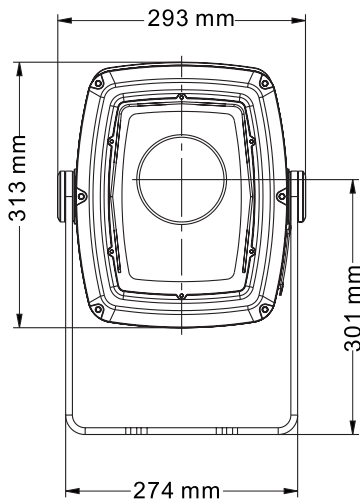
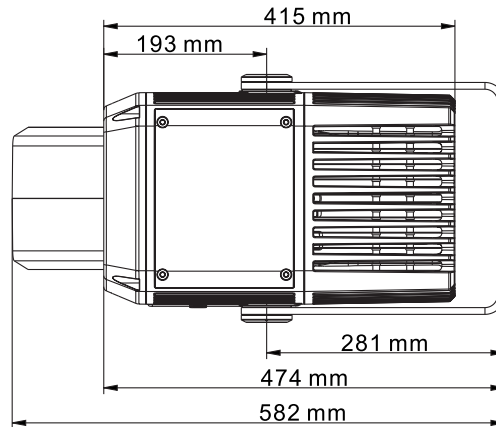
SPEC SHEET

DIMENSIONS

PHYSICAL

- Length..... 415 mm (16.4 in.)
- Width..... 293 mm (11.6 in.)
- Height..... 444 mm (17.5 in.)
- Weight..... 17.5 kg (38.6 lbs.)

All figures include mounting yoke



Dimension drawing includes optional glare shield