

# DARTZ 360



The DARTZ 360™ is a unique, compact, narrow beam luminaire featuring a new patent pending single source 50W RGB LED engine producing an impressive 3° aperture, amazing high output level, and smooth color-mixed effects that can be used in a variety of applications requiring no minimum safe project distance as with typical discharge lamp beam fixtures, fast and precise 16-bit continuous 360° pan and tilt rotation, 14 static-stamped metal gobos, 6-facet linear and 8-facet independent rotating prisms, 0-100% linear frost filter for wash effects, high speed electronic shutter and strobe, electronic dimming and variable dimming curve modes, adjustable LED refresh rate and gamma brightness for flicker free operation for TV and FILM, DMX, RDM (Remote Device Management), Kling-Net, Art-NET, and sACN protocol support, Elation's E-FLY™ internal wireless DMX transceiver, 5pin XLR, RJ45 ethernet, and Locking Power Cable in/out connections, full color 180° reversible menu display with multi-button control panel, battery backup for display power, and a multi-voltage universal auto switching power supply (100-240v).

## FEATURES

- Compact Precise 360° Pan/Tilt Moving Beam Luminaire
- Patent Pending Single Source 50W RGB LED Engine
- No Minimum Safe Project Distance Like Discharge Fixtures
- 3° Sharp Aperture with Motorized Focus
- Fast and Precise 16-Bit Continuous 360° Pan/Tilt Rotation
- 14 Static-Stamped Metal Gobos
- 6 Linear and 8 Facet Independent Rotating Prisms
- 0-100% Linear Frost Filter for Wash Effects
- High Speed Electronic Shutter and Strobe
- Electronic Dimming and Variable Dimming Curve Modes
- DMX, RDM, Kling-Net, Art-NET, and sACN Protocol Support
- Elation's E-FLY™ Internal Wireless DMX Transceiver
- Adjustable Refresh Rate Frequency and Gamma Brightness
- Flicker Free Operation for TV and FILM

Specifications are subject to change without notice ©Elation Professional 03/26/18

Elation Professional USA | 6122 S. Eastern Ave. | Los Angeles, CA. 90040  
323-582-3322 | 323-832-9142 fax | [www.elationlighting.com](http://www.elationlighting.com) | [info@elationlighting.com](mailto:info@elationlighting.com)

Elation Professional B.V. | Junostraat 2 | 6468 EW Kerkrade, The Netherlands  
+31 45 546 85 66 | +31 45 546 85 96 fax | [www.elationlighting.eu](http://www.elationlighting.eu) | [info@elationlighting.eu](mailto:info@elationlighting.eu)



**PRODUCT SPECIFICATIONS**

**SOURCE**

50W RGB LED Engine  
50,000 Hour Average LED Life\*

\*LED Life may vary depending on several factors including but not limited to: Environmental Conditions, Power/Voltage, Usage Patterns (On-Off Cycling), Control and Dimming.

**PHOTOMETRIC DATA**

29,562 LUX 2,746 FC @16.4' (5m) (3° Full ON)

**EFFECTS**

Motorized Focus  
6 and 8 Facet Independent Rotating Prisms  
0-100% Linear Frost Filter for Wash Effects  
High Speed Electronic Shutter and Strobe  
16-Bit Variable Dimming Curve Modes  
Adjustable LED Refresh Rate and Gamma Brightness

**COLOR**

RGB Smooth Color Mixing

**GOBOS**

14 Static-Stamped Metal Gobos

**CONTROL / CONNECTIONS**

(3) DMX Channel Modes (19 / 22 / 25)  
360° Continuous Pan and Tilt 8 / 16 Bit Movement  
Adjustable Refresh Rate (900-25,000 Hz)  
Adjustable Gamma Brightness (2.0, 2.2, 2.4, 2.8)  
6 Button Menu Control Panel  
Full Color 180° Reversible LCD Menu Display  
DMX, RDM, Kling-net, Art-NET and sACN Protocol Support  
Elation E-FLY™ Internal Wireless DMX Transceiver  
5pin DMX, RJ45 Ethernet In/Out  
Locking Power Cable In/Out

**SIZE / WEIGHT**

Length: 11.2" (284.15mm)  
Width: 7.7" (195.97mm)  
Vertical Height: 17.9" (454.7mm)  
Weight: 28.0 lbs. (12.7 kg)

**ELECTRICAL / THERMAL**

AC 100-240V - 50/60Hz  
154W Max Power Consumption  
14°F to 113°F (-10°C to 45°C)

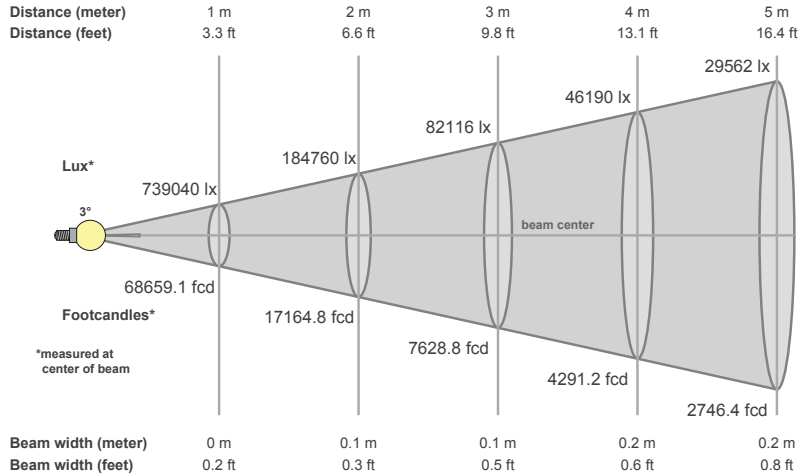
**APPROVALS / RATINGS**



**ORDERING INFORMATION**

<b>DAR880</b>	DARTZ 360™
<b>QUIK RIG CLAMP</b>	Heavy Duty Low Profile Hook Style Clamp
<b>DRCDARTZ360</b>	6-Pack Road Case For DARTZ 360
<b>EFL001</b>	E-FLY™ Wireless DMX Transceiver
<b>ACSPDMX5PRO</b>	5 ft. (1.5m) 5pin PRO DMX Cable
<b>CAT6PRO5</b>	5 ft. (1.5m) CAT6 Ethernet Cable
<b>NEU088</b>	3 ft. (1m) Locking Power Link Cable
	Additional cable lengths available

**PHOTOMETRIC DATA**



**GOBOS**

**STATIC-STAMPED GOBO WHEEL**



**DIMENSIONAL DIAGRAMS**

