



XPRS12

XPRS Series

12-INCH TWO-WAY FULL RANGE SPEAKERS

Get the audience going with the XPRS Series of high-powered active speakers. The compact, portable, wooden enclosure XPRS Series combines Pioneer Pro Audio sound engineering heritage with the reliable, energy efficient power of Powersoft amps – to give you a versatile plug-and-play system that fills the room with a natural sound.

KEY FEATURES

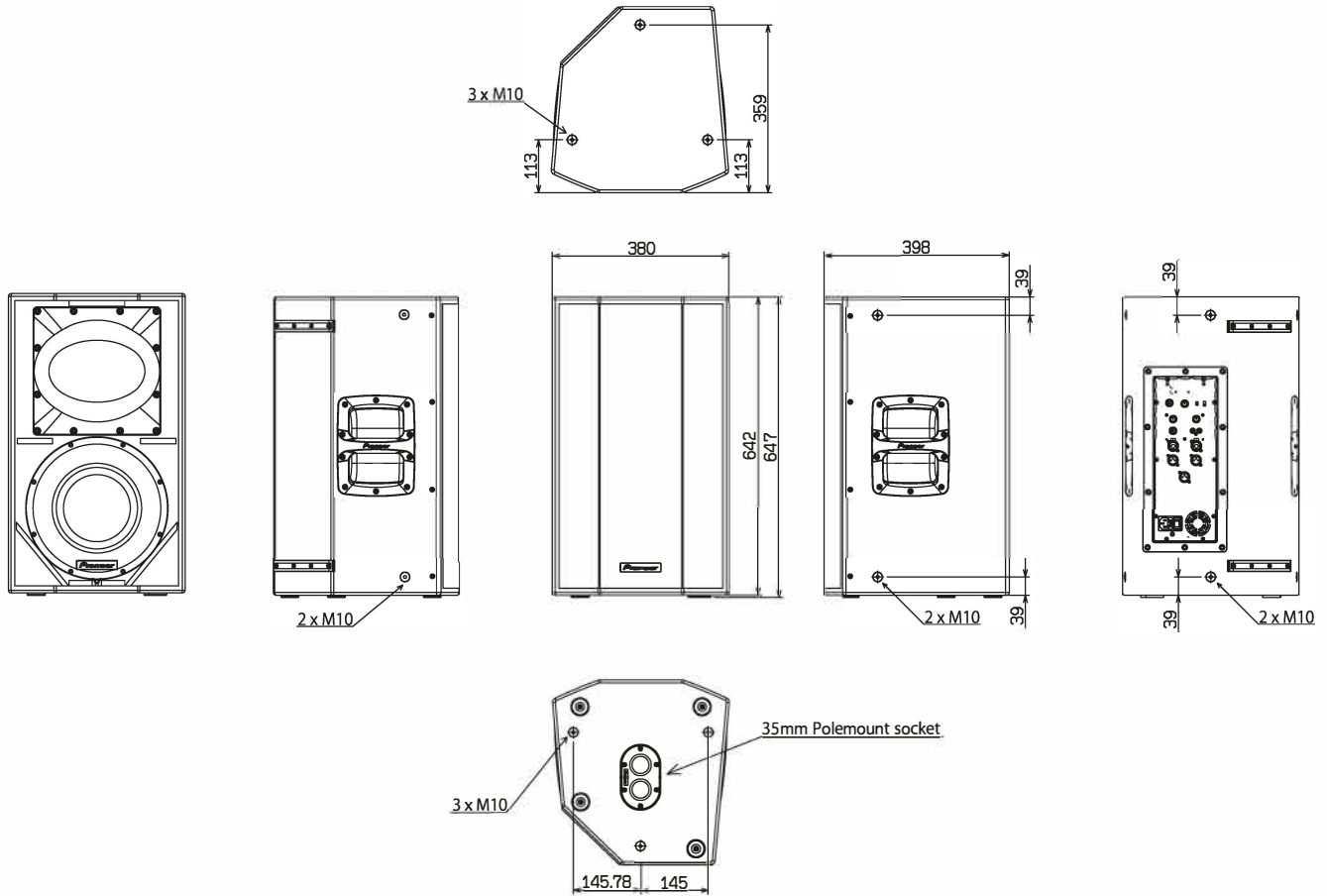
- Two-way full range speaker with 12-inch LF driver and a 1.75-inch titanium diaphragm compression driver
- Powersoft Class D 2400 W amps for reliable, high-powered performance
- Advanced protection features help prolong your speakers' life
- Four EQ modes for a variety of genres and environments
- Wide dispersion of 90 × 60 degrees, with rotatable horn for horizontal installation
- Wedge shape and polemount socket with tilt for a choice of three positions
- Impact resistant textured paint finish
- Multiple inputs and outputs for flexible, easy set-up

SPECIFICATIONS

Speaker type	12" 2-way full range, bass reflex, bi-amp, active speaker
Frequency response(-10 dB)	50 Hz to 20 kHz
Dispersion (H × V)	90° × 60° (rotatable)
Maximum SPL (peak@1m/1w)	135 dB
Crossover frequency	2.0 kHz
Amplifier type	Class D
Power rating	2400 W peak / 1200 W cont. (LF800 W/HF400 W)
Input connectors	2 × XLR/TRS combo (balanced), 2 × RCA (unbalanced)
Input impedance	10 kΩ
Output connectors	2 × Through output XLR (balanced) 1 × Mixed output XLR (balanced)
LF driver	12-inch ferrite LF cone driver
HF driver	1.75-inch titanium diaphragm neodymium compression driver
Enclosure	15 mm birch plywood, bass reflex type
Finish	Impact-resistant, black semi-matt textured
Handle	2 (on both sides)
Pole socket	35 mm socket (0°/7° multi-angle)
Rigging point	12 × M10
Amplifier protection	Thermal limiting, over-temperature muting, output overcurrent
Driver protection	DC offset removal, high frequency stationary loud signals, input voltage limiter (Peak/RMS)
Power unit Protection	Primary AC mains overvoltage protection, Primary AC mains overcurrent protection
Supported voltages	100 V (50 Hz/60 Hz) / 110 V to 240 V (50 Hz/60 Hz)
Power consumption	167 W
Dimensions (W × H × D)	380 × 647 × 398 mm (15 × 25.5 × 15.7 inch)
Weight	23.1 kg (50.9 lbs)

XPRS12

TECHNICAL DRAWING



APPLICATION

Clubs / Bars / Houses of Worship / Live sound

IMAGES



AMPLIFIER MODULE



WWW.PIONEERPROAUDIO.COM

AlphaTheta EMEA Limited Artemis Building, Odyssey Business Park, West End Road, South Ruislip, HA4 6QE, UK
 AlphaTheta Music Americas, Inc. 2050 W 190th Street, Suite #109, Torrance, CA 90504, USA
 AlphaTheta Corporation 6F, Yokohama I-Mark Place, 4-4-5 Minatomirai, Nishi-ku, Yokohama, Kanagawa 220-0012 Japan

Features and specifications of the products described or illustrated in this specification sheet are correct at the time of printing but could change as production changes might occur. This specification sheet may contain typographical errors and the colours of the depicted products may deviate slightly from reality. Consult your Pioneer dealer to ensure that actual features and specifications match your requirements. This specification sheet may contain references to products that may or will not be available in your country. Powersoft® is a registered trademark of Powersoft S.p.A.