



REMBRANDT PICCOLO 200 W Daylight Fresnel Spotlight



Mod. 2495



Mod. 2490

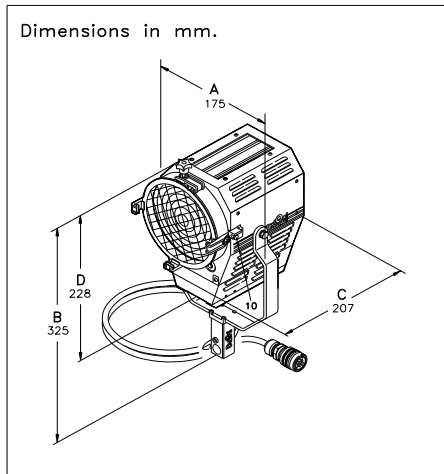
FEATURES

- Compact, highly efficient Fresnel lens spotlight The REMBRANDT PICCOLO 200 W is a compact Fresnel Spotlight, using Single ended Hot Re-strike metal halide discharge lamps having GZY9.5 socket. L.C.L. is 39 mm for 200 W lamp
- 120 mm. diameter high quality, shock resistant Borosilicate glass Fresnel lens on spring supports.
- Rugged and Lightweight Stainless Steel housing with low glare Silver High Temperature (530°C) resistant powder coating, with internal double walls and reinforces.
- High efficiency convection cooling.
- GZY9.5 bi-post socket for Discharge Lamps (High Voltage Rating), with special contacts for homogeneous current distribution over lamp's pins.
- Special bimetallic clad aluminum reflector for high degree of reflectivity and thermal resistance for long life.
- Worn Screw driven focus mechanism which guides Teflon bushings supported lamp carriage along 2 steel rails. This ensures smooth operation, and restricts bouncing or chattering of the lamp carriage during focusing, in any tilting position of the fixture, avoiding lamp failures during operation. The Teflon bushings also provide a wiping action, which cleans the stainless steel guide rails during focus. The whole spot to flood action is accomplished with 1 and half turn of the focusing knob.
- The unit is equipped with a hinged lens door with wire-guard for easy access to the lamp, it includes accessory holding brackets. One of the 4 brackets has a locking knob and is spring loaded, it can be locked to either safely hold barndoor, color frame and scrims or to be rotated 90° and locked in an open position for fast accessories changes. A double safety accessory bracket with spring loaded catch is available on request to be assembled opposite to the locking knob.
- The accessories are secure regardless of the orientation of the fixture. Accessories have been designed for one hand installation.


CHARACTERISTICS & PERFORMANCE DATA

DESCRIPTION	VALUE	
➤ Amperage	See lamp data (from ballast to head) or ballast manual (supply to ballast)	
➤ MAX Ignition voltage (hot lamp)	≅ 20 KV	
➤ Connections to ballast (Standard version)	BALLAST TYPE	CONNECTION
	DEB 200 AC	Direct
	DEB 200 DC	Direct
➤ Connector type	Standard Version	Special Version (*)
	8 Pin 16-8 Male with ring nut - Type : Bayonet straight plug	7 pin with threaded ring nut Type : German std C16-1
➤ Lamp Holder	GZY 9,5	
➤ Power Cable (from fixture to ballast)	3 x 1,5sqmm + 5 x 0,35 sqmm.	
➤ Protection Class	Class 1- ground connection required through ballast	
➤ Protection Type	IP 22	
➤ Max Housing surface temperature	120 °C	
➤ Weight of Fixture	2,9 Kg (MO)	
➤ Weight of barndoor	4 leaf	8 leaf
	0,25 kg.	
➤ Size of Barndoor ring	Seat Diameter	Ring Diameter
	135 mm.	133 mm.
➤ Size of scrims and color frame	Seat x scrims	Scrim Dia.
	135 mm	130 mm

(*) = Special version with German std M1 connector are available only on special request and shall be used with special ballast and extension cables for connector compatibility .



USABLE LAMPS

USABLE LAMPS Manufacturer		200 W Model
PHILIPS		MSR 200 W HR
Other manufacturers may be used as long as they meet completely the technical specifications of the above lamps		

WORKING CONDITIONS

☞ Working Position	Lighting fixture: Max. Tilting $\pm 90^\circ$ from horizontal	Lamp: S90
☞ Ambient Temperature, t_a	+45° C Max	
☞ Minimum distances from inflammable surfaces	Top 0,3 m.	Back 0,1 m. Sides 0,1 m. Front 2 m.

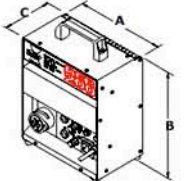
DEB ELECTRONIC BALLASTS



- DEB 200W MOD. 2495
- LOCAL, REMOTE CONTROL
- LOW NOISE & FLICKER FREE SELECTOR
- CONVECTION COOLING SYSTEM
- CONSTANT OUTPUT LAMP POWER

Electrical Performance	
Input Voltage	95 - 135V 185 - 265V
Nominal effective input current	3 A at 110V 1,5 A at 220V
Efficiency (Average)	> 0,93
Power factor (Average)	> 0,65
Dimmer range	30%
On/Off control	Either local or remote

Weights & Dimensions		
Dimensions	inches	mm
width (A)	7.88	200
height (B)	5.12	130
depth (C)	4.73	120
Weight	Lbs	Kg
	5,08	2,30
Working position	Ballast with control panel facing front	
Ambient temperature	0...+45°C	
& Humidity allowed	IP23	



PHOTOMETRIC DATA

Photometric Data Rembrandt Piccolo 200 W

Values measured with MSR 200 HR, 120 mm. Diam. Fresnel Lens									
		FEET				METERS			
TYPICAL DISTANCES		10'	20'	30'	40'	3	6	9	12
LIGHT CENTER VALUES	Candle Power	Footcandles				Lux			
SPOT	99.000	990	248	110	62	11.000	2.750	1.222	688
FLOOD	10.350	104	26	12	6	1.150	288	128	72
		F.C. AT ANY DISTANCE = Candle Power : (distance in ft) ²				LUX. AT ANY DISTANCE = Candle Power : (distance in ft) ²			
BEAM ANGLE (50% of center value)		BEAM DIAMETER (W x H in feet)				BEAM DIAMETER (W x H in meters)			
SPOT	6,0°	1.0'	2.1'	3.1'	4.2'	0,3 mt	0,6 mt	0,9 mt	1,3 mt
FLOOD	48,0°	8.9'	17.8'	26.7'	35.6'	2,7 mt	5,3 mt	8,0 mt	10,7 mt

VERSIONS & MODEL NUMBERS

Mod. *Description*

- 2490.100 REMBRANDT PICCOLO 200 W** Single Ended Stainless Steel DAYLIGHT FRESNEL including:
- M.O. Fixture Head with
 - 120 mm. lens,
 - 3,5 mt. cable with MIL connector **Mod. 2490.101**
 - four leaf rotating barndoor **Mod. 306.100**
 - colour frame **Mod. 307.100**
 - stainless steel wire guard **Mod. 305.300**
 - M.O. stirrup **Mod. 2490.100.40**
- 2495.500 A.C. "DEB" 200W CE 110-230V (MIL Version),** Flicker-Free Electronic Ballast including:
- IP23
 - main input selection **95/135 V.** and **185/265 V.**, 50/60 Hz
 - Local/Remote control selector
 - dimmer range: 30% power = 50% light intensity
 - 2 mt. main cable (INPUT)
 - MIL connector (OUTPUT)

ACCESSORIES TYPES & NUMBERS

<i>Mod.</i>	<i>Optional & Accessories</i>
2490.100.40	Flat steel ManualOperated, black painted stirrup with 16 mm. (5/8") Receptacle Socket
2490.200.40	Flat steel ManualOperated, black painted stirrup with M 8 threaded hole
305.300	Stainless Steel wire guard
306.100	Four leaf rotating barndoor
306.200	Eight way rotating barndoor
307.100	Colour Frame
308.100	Cone with two discs (with front aperture diameter: 70 mm. 50 mm. 30 mm.)
309.100	Set of scrims - Stainless steel
309.101	Full single scrim - Stainless steel
309.102	Full double scrim - Stainless steel
309.103	1/2 single scrim - Stainless steel
309.104	1/2 double scrim - Stainless steel
93.101	Extruded black "C" clamp with 16mm. (5/8") stud
93.104	Extruded black "C" clamp with M 8 threaded stud
20.100	Safety cable 800 mm. long with 4 mm. diameter steel rope and safety catch.
2208.100	2,5 mt. extension cable
2208.200	7,5 mt. extension cable
2490.601	Fly case for Rembrandt Piccolo 200W complete kit
DGP-A620B	ALU BLACK KIT STAND
200MSR/HR	MSR 200W S.E. lamp, GX9.5 base - 5600°K - HOT RESTRIKE - (PHILIPS)
2490.100.40	Flat steel ManualOperated, black painted stirrup with 16 mm. (5/8") Receptacle Socket

