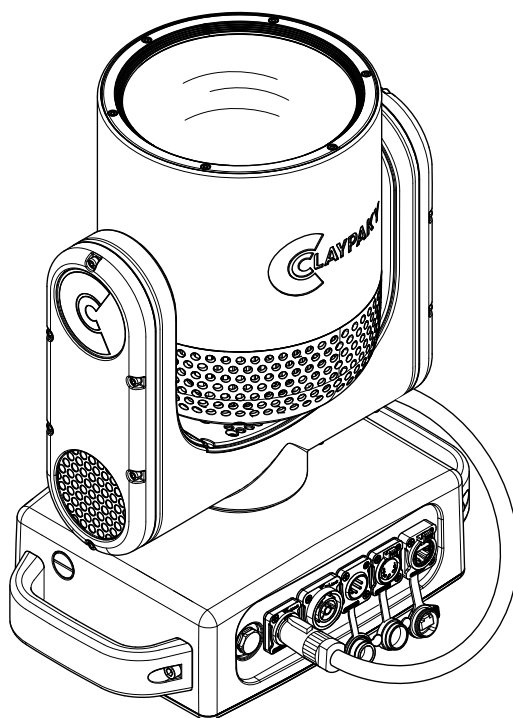


INSTRUCTION MANUAL



INDEX

Page	Contents
2	1. Safety information
3	2. Unpacking and preparation
4	3. Installation and start-up
4	3.1 Installing the fixture
5	3.2 Connecting to main supply
5	3.3 Connecting the control signal line: DMX / Art-Net
5	3.4 Switching on the fixture and basic setup
7	4. Maintenance
7	4.1 Maintenance and Caution
8	4.2 Battery removal
9	4.3 Opening the covers
10	5. Dimensions
11	6. Cause and solution of problems

Congratulations on choosing a Claypaky product!

We thank you for your custom.

Please note that this product, as all the others in the rich Claypaky range, has been designed and made with total quality to ensure excellent performance and best meet your expectations and requirements.

1. SAFETY INFORMATION

EN

SAFETY INFORMATION

IMPORTANT: Claypaky recommends you carefully read and keep the safety information on this product, also available in digital format at the following link:

www.claypaky.com

Ref: [FIS02U - Safety information Mini-B Aqua PX]

IT

INFORMAZIONI DI SICUREZZA

IMPORTANTE: Claypaky raccomanda di leggere accuratamente e conservare le informazioni di sicurezza relative a questo prodotto, sempre reperibili in versione digitale al seguente link:

www.claypaky.com

Rif: [FIS02U - Safety information Mini-B Aqua PX]

DE

INFORMATIONEN ZUR SICHERHEIT

WICHTIG: Claypaky empfiehlt, die Sicherheitsinformationen bezüglich dieses Produkts genau zu lesen und aufzubewahren. Sie sind in Digitalversion immer unter folgendem Link auffindbar:

www.claypaky.com

Ref: [FIS02U - Safety information Mini-B Aqua PX]

ES

INFORMACIONES DE SEGURIDAD

IMPORTANTE: Claypaky recomienda leer detenidamente y conservar la información de seguridad relativa a este producto. Además, está disponible una versión digital de la misma en el siguiente enlace:

www.claypaky.com

Ref: [FIS02U - Safety information Mini-B Aqua PX]

FR

CONSIGNES DE SÉCURITÉ

IMPORTANT: Claypaky recommande de lire attentivement et de conserver les informations de sécurité relatives à ce produit, disponibles en version digitale au lien suivant:

www.claypaky.com

Réf. : [FIS02U - Safety information Mini-B Aqua PX]

RU

ИНСТРУКЦИЮ ПО ТЕХНИКЕ БЕЗОПАСНОСТИ

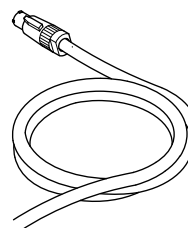
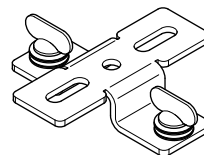
ВАЖНО: Claypaky рекомендует внимательно прочитать и сохранить инструкцию по технике безопасности данного изделия, которая всегда доступна в электронном формате по следующей ссылке:

www.claypaky.com

Наименование: [FIS02U - Safety information Mini-B Aqua PX]

2. UNPACKING AND PREPARATION

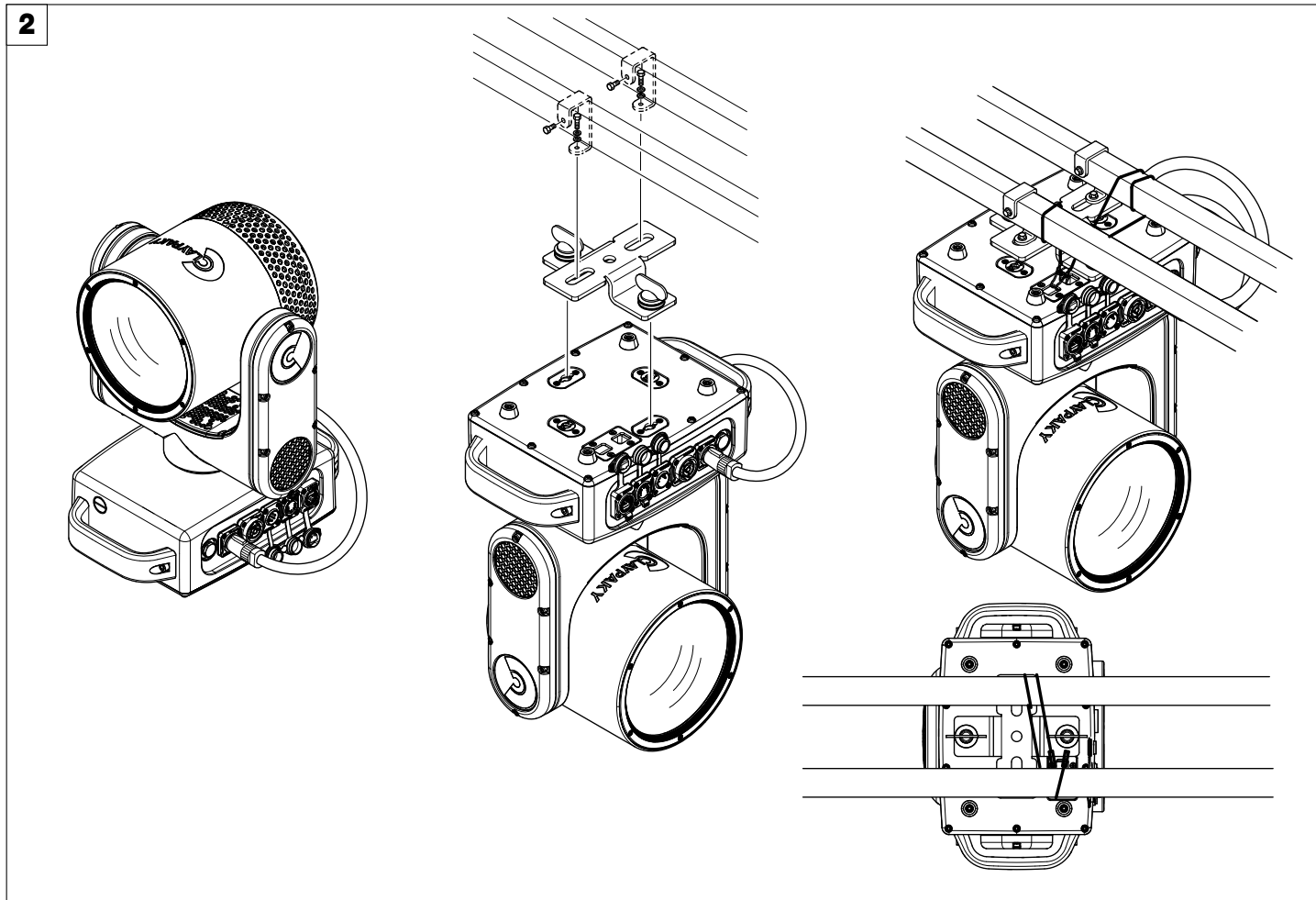
1



Packing contents - Fig. 1

3. INSTALLATION AND START-UP

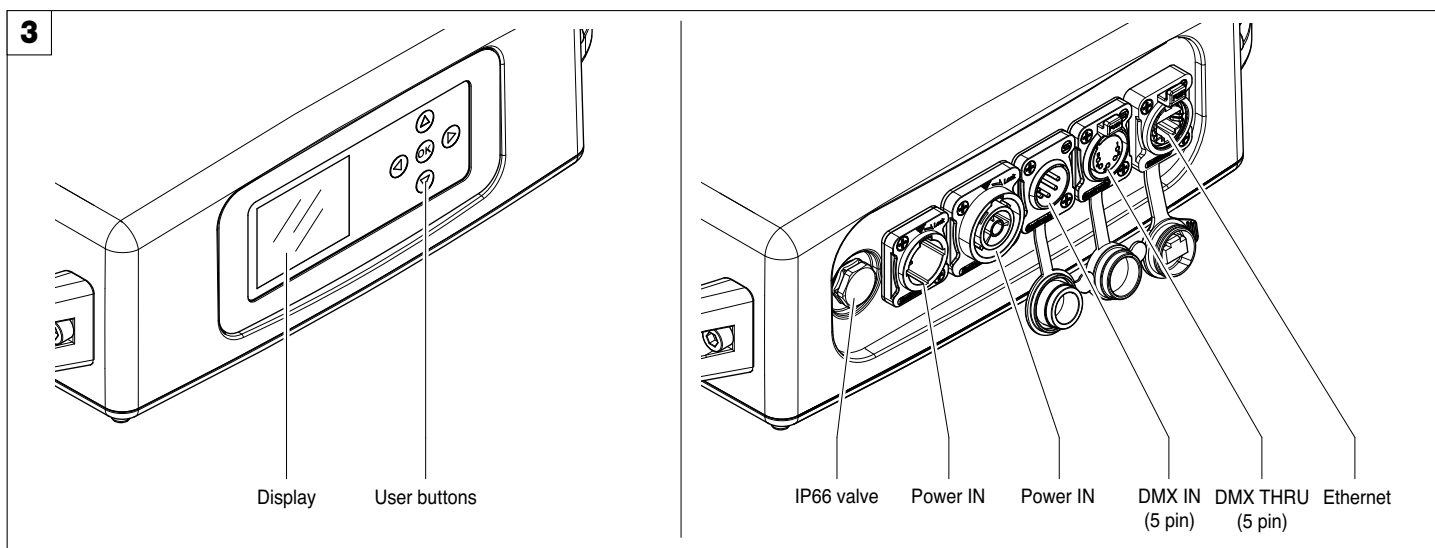
3.1 Installing the fixture



Installing the projector - Fig. 2

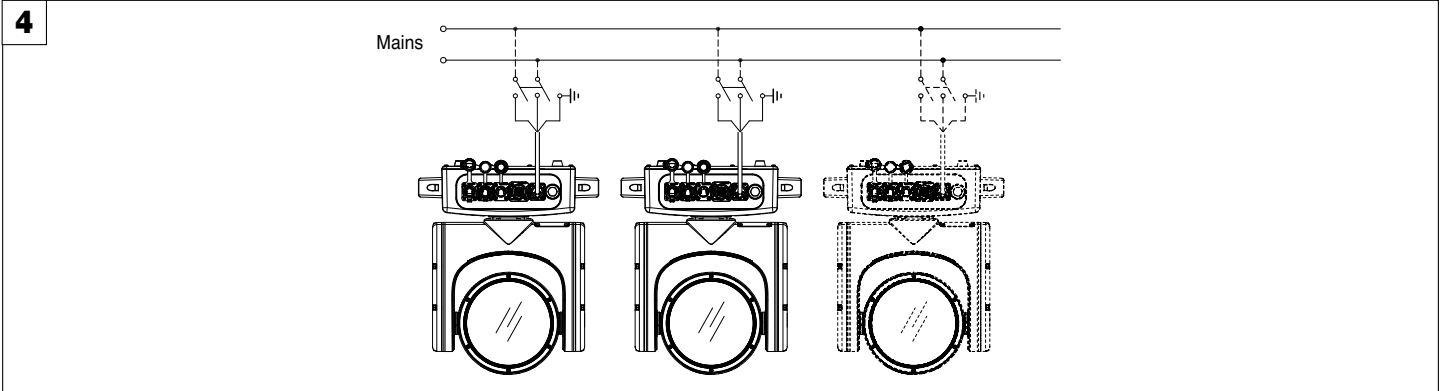
The projector can be installed on the floor on a truss or on the ceiling or wall.

WARNING: with the exception of when the projector is positioned on the floor, the safety cable must be fitted. (Cod. 105015/802 available on request). This must be securely fixed to the support structure of the projector and then connected to the fixing point.



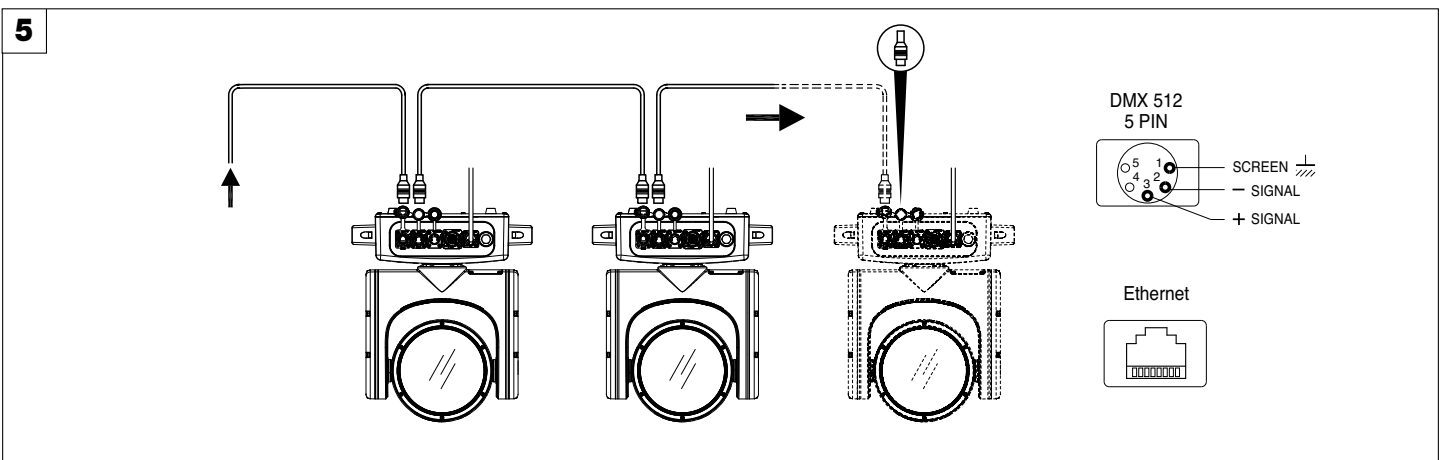
Control panel - Fig. 3

3.2 Connecting to mains supply



Connecting to the mains supply - Fig. 4

3.3 Connecting the control signal line: DMX / Art-Net

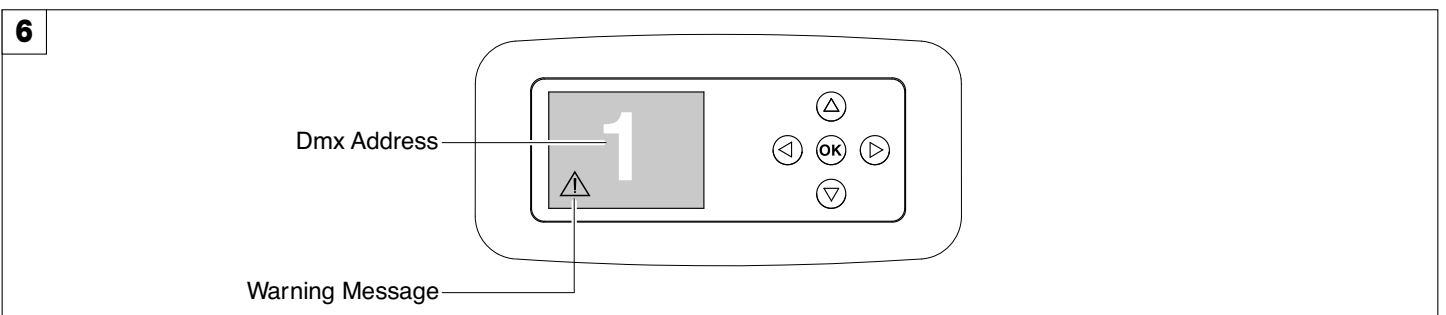


Connecting to the control signal line (DMX) - Fig. 5

Use a cable conforming to specifications EIA RS-485: 2-pole twisted, shielded, 120Ohm characteristic impedance, 22-24 AWG, low capacity. Do not use microphone cable or other cable with characteristics differing from those specified. The end connections must be made using XLR type 5 pin male/female connectors. A terminating plug must be inserted into the last projector with a resistance of 120Ohm (minimum 1/4 W) between terminals 2 and 3.

IMPORTANT: The wires must not make contact with each other or with the metal casing of the connectors. The casing itself must be connected to the shield braid and to pin 1 of the connectors.

3.4 Switching on the fixture and basic setup



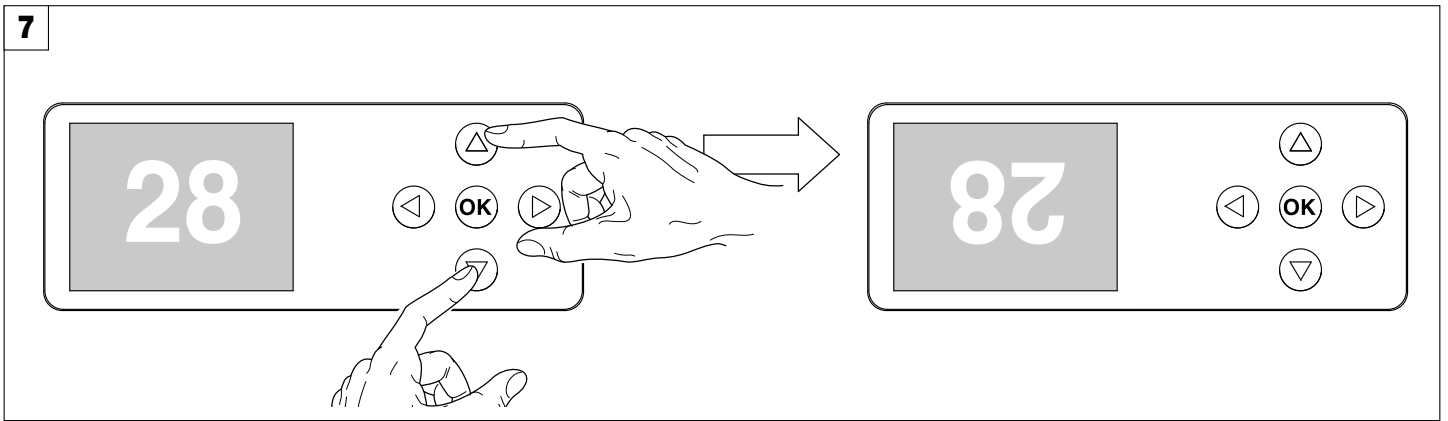
Switching on the projector - Fig. 6

Plug the power connector. The projector starts resetting the effects. At the same time, the following information scrolls on the display:

	Model Mini-B Aqua PX	Firmware Version X.X.X Date - Hour	Dmx Address xxx
--	--------------------------------	---	------------------------

On conclusion of resetting in case of absence of the dmX signal, Pan and Tilt move to the "Home" position (Pan 128 bit - Tilt 128 bit). The control panel (Fig. 8) has a display and buttons for the complete programming and management of the projector menu. The display can be in one of two conditions: rest status and setting status. When it is in the rest status, the display shows the projector's DMX address.

During menu setting status, after a wait time (about 30 seconds) without any key having been pressed, the display automatically returns to rest status. It should be noted that when this condition occurs, any possible value that has been modified but not yet confirmed with the **OK** key will be cancelled.



Reversal of the display - Fig. 7

To activate this function, press UP ▲ and DOWN ▼ keys simultaneously while the display is in the rest mode. This status will be memorised and maintained even for the next time it will be switched on. To return to the initial state, repeat the operation all over again.

Setting the projector starting address

On each projector, the starting address must be set for the control signal (addresses from 1 to 512).

The address can also be set with the projector switched off.

IMPORTANT: If there is no DMX input signal the address displayed blinks.

Functions of the buttons - Using the menu

		Confirms the displayed value, or activates the displayed function, or enters the successive menu.
	 DOWN	Decreases the value displayed (with auto-repetitions) or passes to the next item in the menu.
	 UP	Increases the value displayed (with auto-repetitions) or passes to the previous item in a menu.
	MODE	Return to the top level.
	ENTER	Enters the successive menu.

USING THE MENU:

- 1) Press MODE once – “Main Menu” appears on the display.
- 2) Use the UP ▲ and DOWN ▼ keys to select the menu to be used:
 - Setup (Setup Menu): To set the setting options.
 - Option (Option Menu): To set the operating options
 - Information (Information Menu): To read the counters, software version and other information.
 - Manual Control (Manual control Menu): To trigger the test and manual control functions.
 - Test (Test Menu): To check the proper functioning of effects
 - Advanced (Advanced Menu): Access to the "Advanced menu" is recommended for trained technical personnel.
- 3) Press OK to display the first item in the selected menu.
- 4) Use the UP ▲ and DOWN ▼ keys to select the MENU items.

Setting addresses and options with the projector disconnected

The projector DMX address, as well as other possible operating options, can also be set when the appliance is disconnected from the electricity supply. All that is needed is to press ENTER to momentarily activate the display and thus access the settings. Once the required operations have been carried out, the display will switch off again after a wait time of 30 seconds.

4. MAINTENANCE

4.1 Maintenance and Caution

8

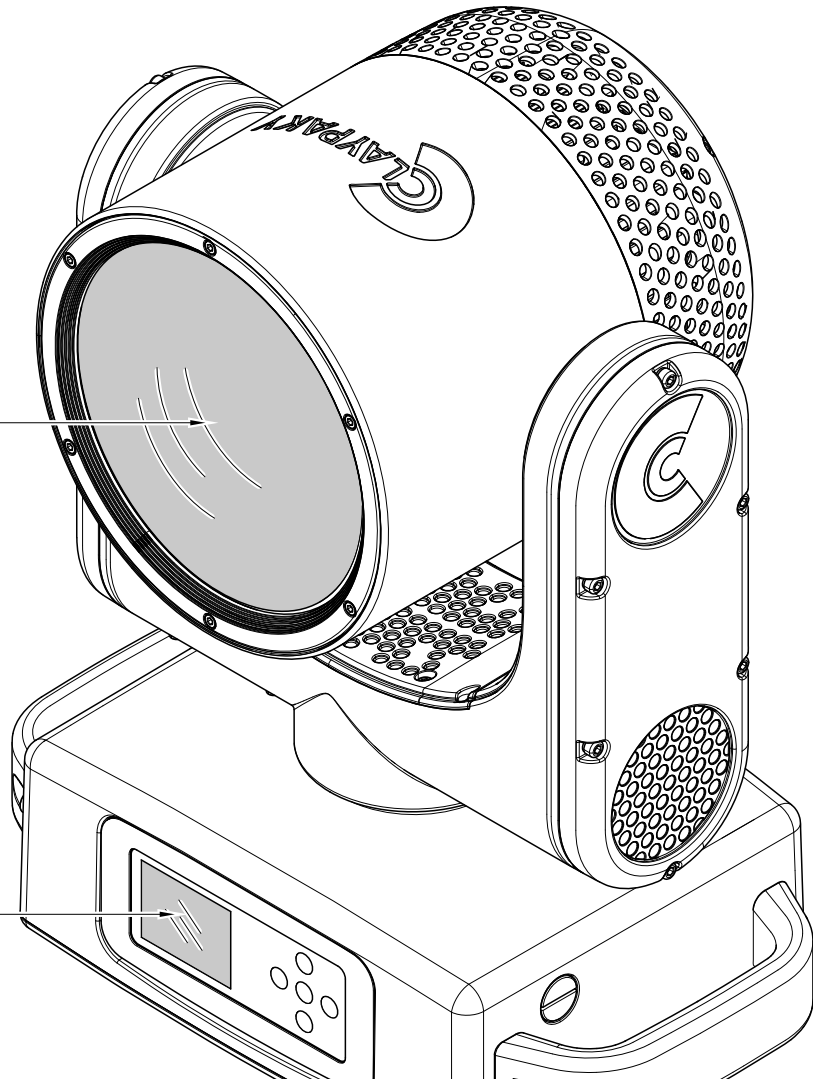


Light collimation system

This product contains internal light collimation system. Avoid intense light from any angle.

●
Periodical cleaning

●
Periodical cleaning



WARNING

- IP 66 fixture
- Failure to completely remove power from fixture prior to servicing can lead to serious injury or death.

For additional service information please contact service@claypaky.it

IMPORTANT

The screws to be removed have rubber sleeve gaskets at the threaded end of the screw. **DO NOT LOOSE** these. They must be reinstalled when reassembly is done. If these rubber sleeve gaskets are damaged, they must be replaced with exact original equipment (OE) parts, we also suggest to replace the rubber sleeve gasket every 2 years.

To maintain IP66 rating each covers have rubber gasket on it, If any rubber gasket is lost or damaged, they must be replaced by an original equipment (OE) parts, we also suggest to replace the rubber sleeve gasket every 2 years.

CAUTION:

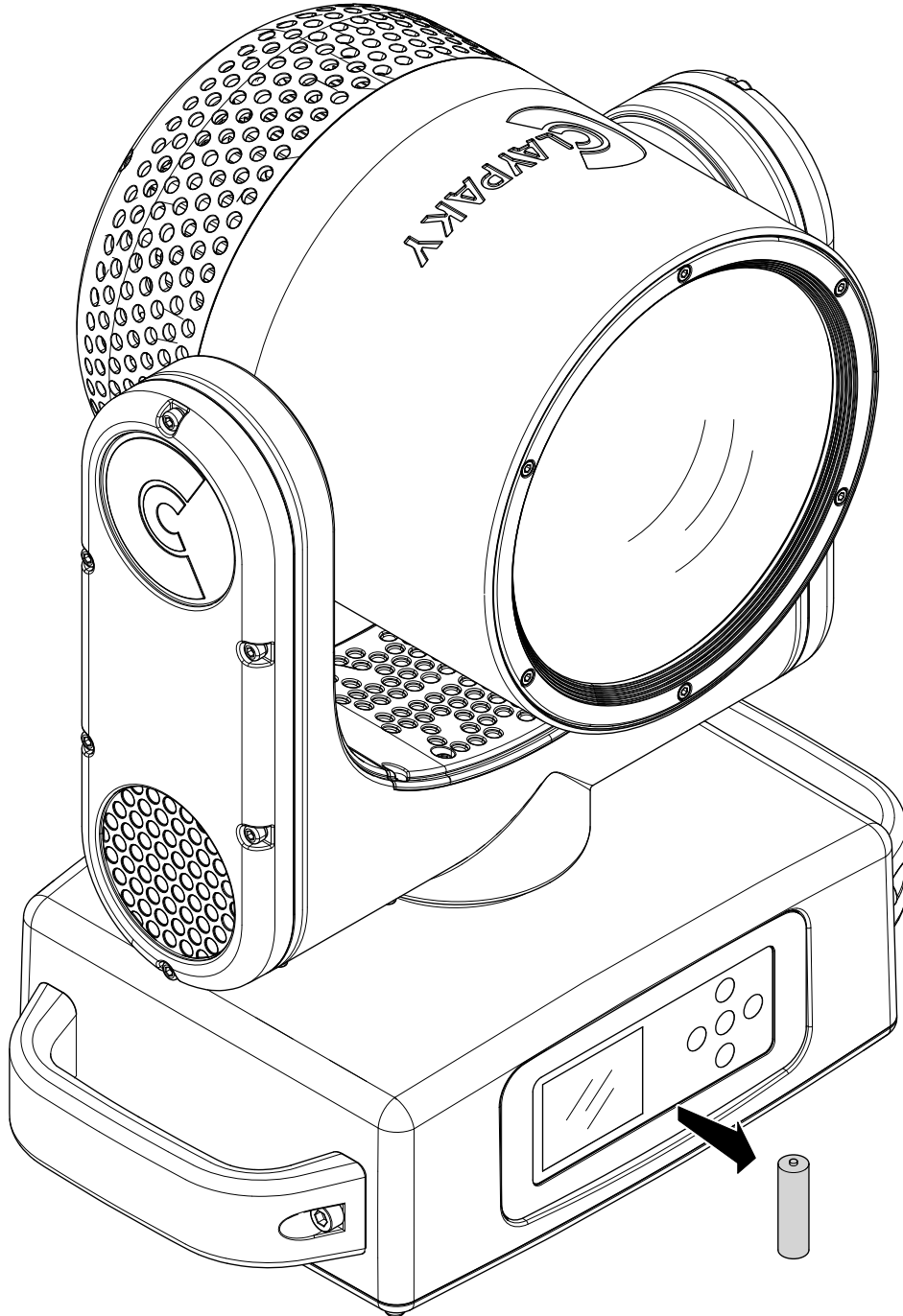
- **It is recommended not to use compressed air with more than 4 atmospheres for cleaning the internal parts of the fixture, led board area. This is to avoid damaging electronic components.**
- To ensure optimal operation and performance for a long time it is essential to periodically clean the parts subject to dust and grease deposits. The frequency with which the following operations are to be carried out depends on various factors, such as the amount of the effects and the quality of the working environment (air humidity, presence of dust, salinity, etc.).
It is recommended that the projector undergoes an annual service by a qualified technician for special maintenance involving at least the following operations:
 - General cleaning of internal parts.
 - Restoring lubrication of all parts subject to friction, using lubricants specifically supplied by Claypaky.
 - General visual check of the internal components, cabling, mechanical parts, etc.
 - Electrical, photometric and functional checks; eventual repairs.

Cleaning the lenses

Only use neutral soap and water to clean the lenses, then dry it carefully with a soft, non-abrasive cloth. (WARNING: the use of alcohol or any other detergent could damage the lenses).

4.2 Battery removal

9



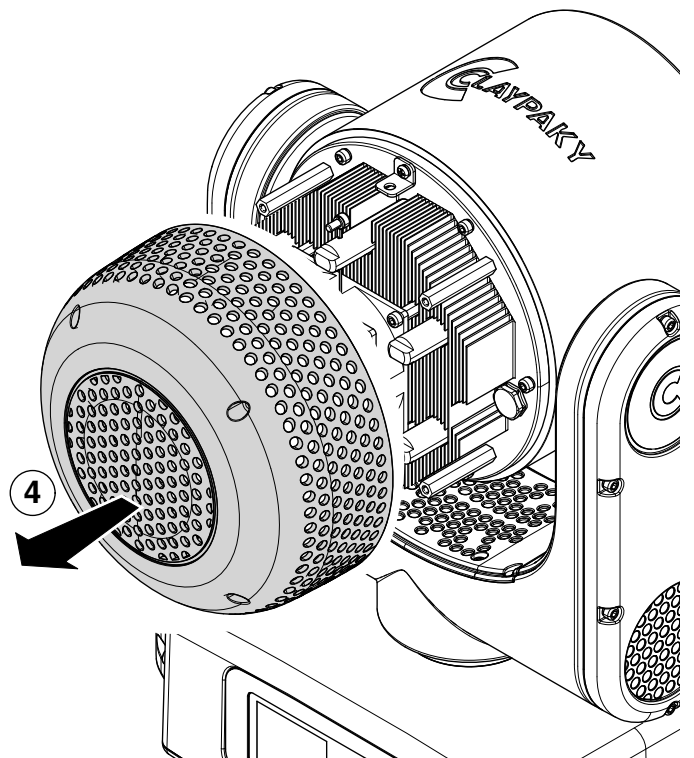
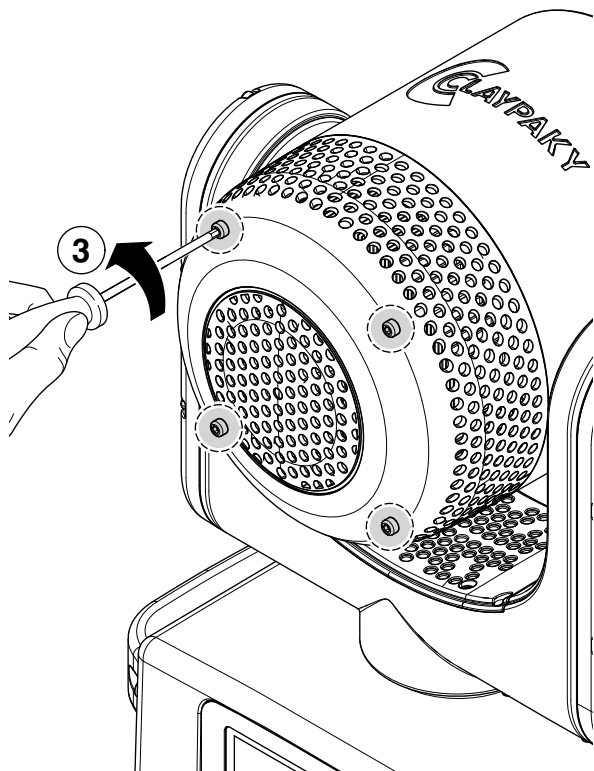
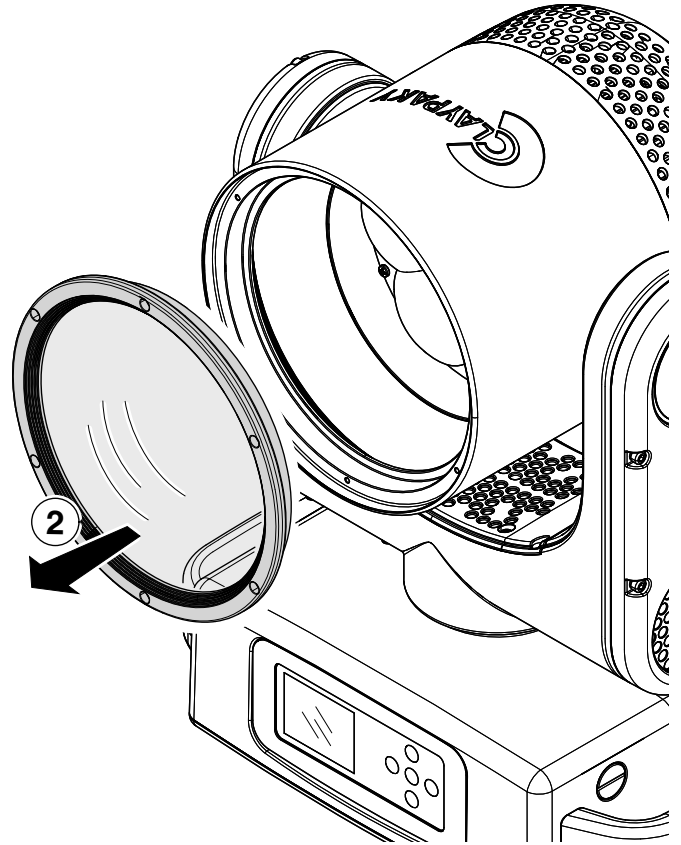
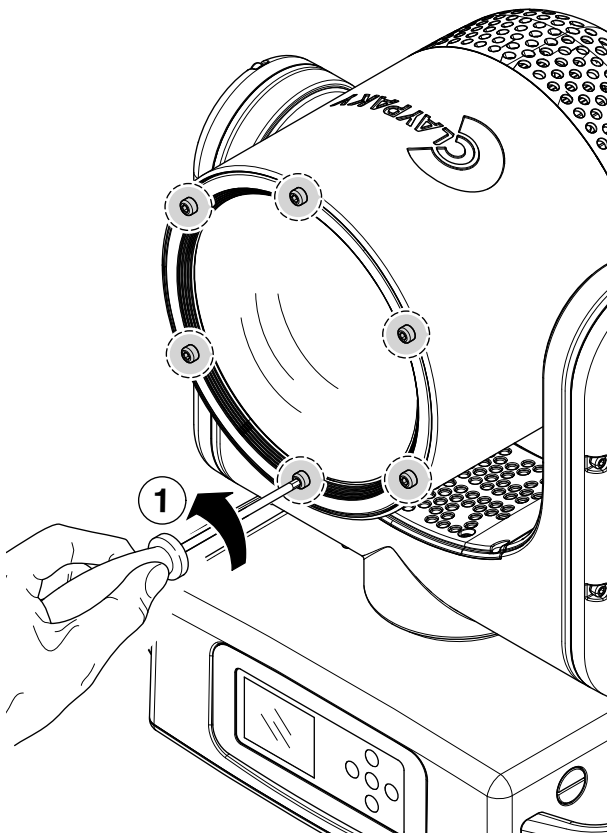
Battery removal - Fig. 9



This product contains a rechargeable battery. To preserve the environment, please dispose the battery at the end of its life according to the regulation in force.

4.3 Opening the covers

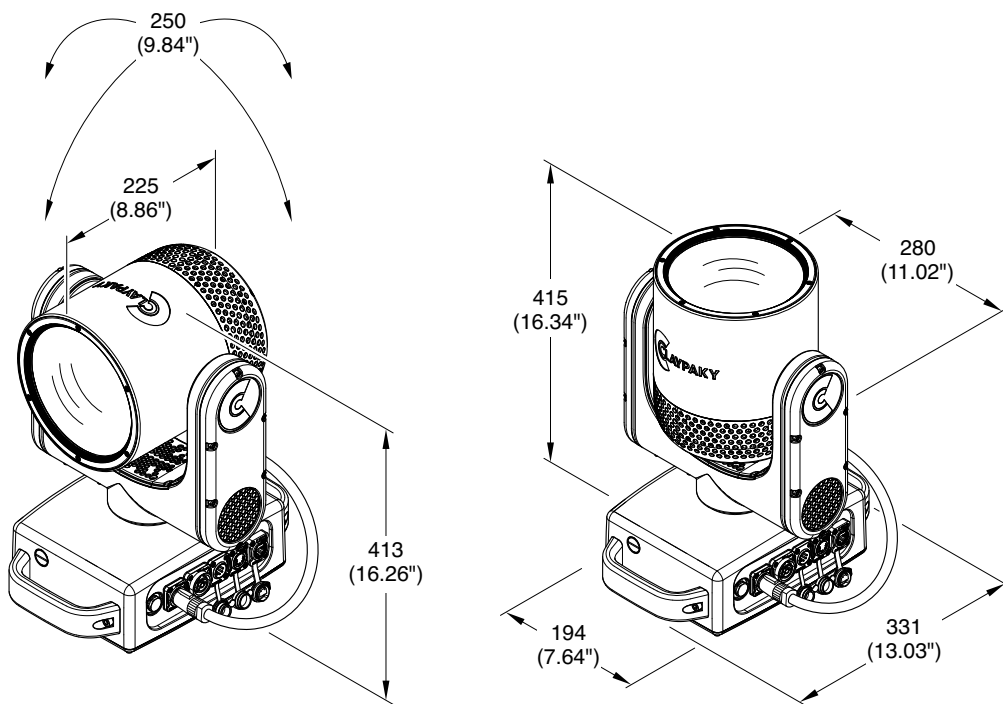
10



Opening the covers - Fig. 10

5. DIMENSIONS

Mini-B Aqua PX



6. CAUSE AND SOLUTION OF PROBLEMS

THE PROJECTOR WILL NOT SWITCH ON			<i>PROBLEMS</i>	
ELECTRONICS NON-OPERATIONAL				
DEFECTIVE PROJECTION				
REDUCED LUMINOSITY				
		<i>POSSIBLE CAUSES</i>	<i>CHECKS AND REMEDIES</i>	
●		No mains supply.	Check the power supply voltage.	
●	●	LED exhausted or defective.	Call an authorised technician.	
	●	Signal transmission cable faulty or disconnected.	Replace the cables.	
	●	Incorrect addressing.	Check addresses (see instructions).	
	●	Fault in the electronic circuits.	Call an authorised technician.	
	●	Lenses broken	Call an authorised technician.	
	●	●	Dust or grease deposited.	Clean (see instructions).

