

## Piccoletto VW Vari-White (100.VW)

30W Vari-White from 2.700 to 6.500 °K - Enhanced CRI > 94

White light, with Adjustable Correlated Colour Temperature

### INSTRUCTION MANUAL



MANUFACTURER



REPRESENTATIVE

ILT Italy S.r.l.  
Via Cancelliera # 10a, 00041 Albano Laziale (Rome- Italy).  
Tel. +39/06/902901 Fax. +39/06/90231051  
www.desisti.itE-mail: [desisti@desisti.it](mailto:desisti@desisti.it)

## 1. INTRODUCTION

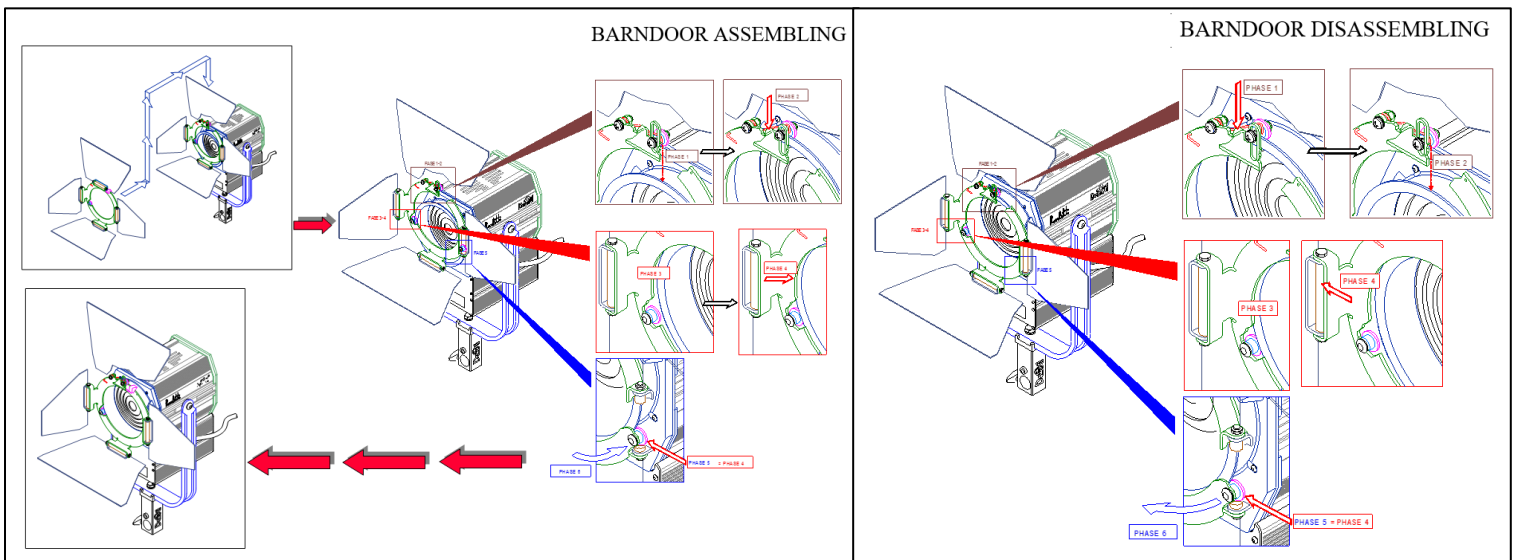
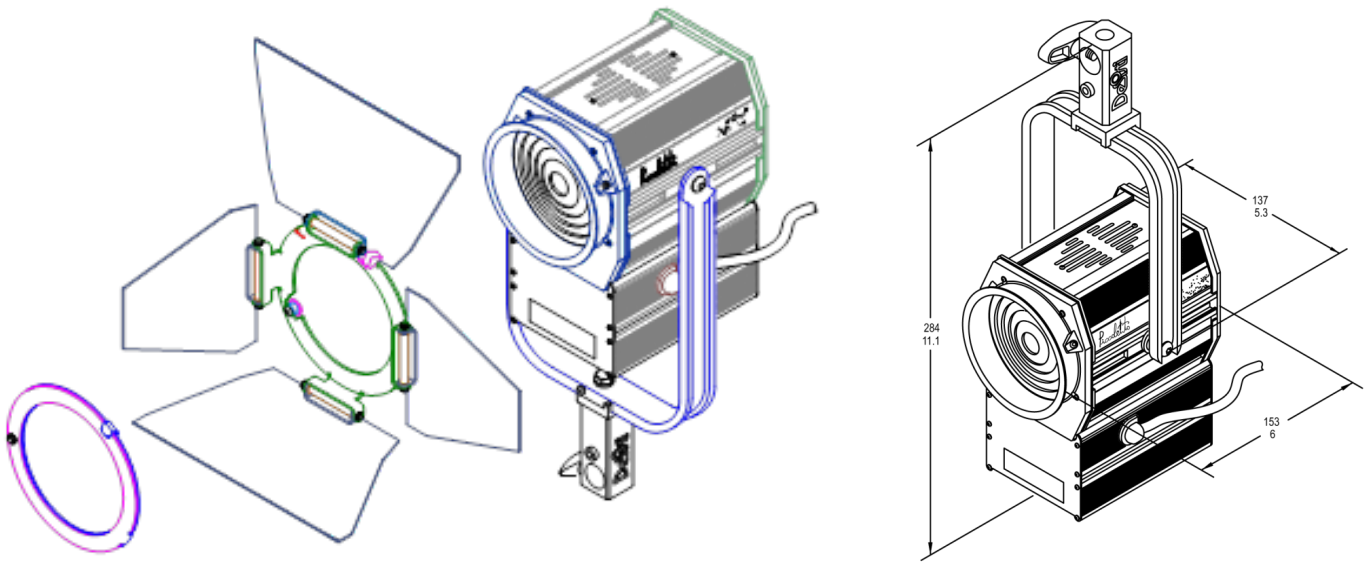


**Congratulations on your purchase of a Piccoletto Vari White lighting fixture.**

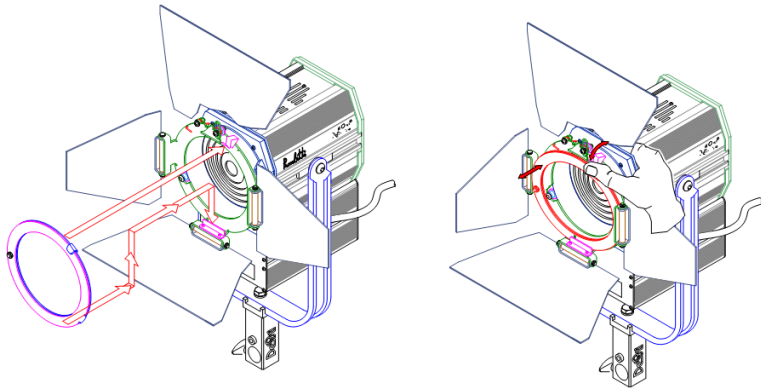
The PICCOLETTO is a high efficiency Fresnel lens spotlight using a De Sisti 30W Vari-White LED ARRAY and with an enhanced CRI (Color Rendering Index) higher than 95 for appropriate chromacity performances. The PICCOLETTO provides the ability to tune the Correlated Color Temperature from a minimum of 2.800°K to a maximum of 6.600°K with an enhanced CRI (Color Rendering Index) higher than 95 at any CCT within the range.

The fixture combines the classical SPOT/FLOOD beam control on an equivalent FOCUS RANGE to a conventional lamp Fresnel, with an excellent barn door cutting

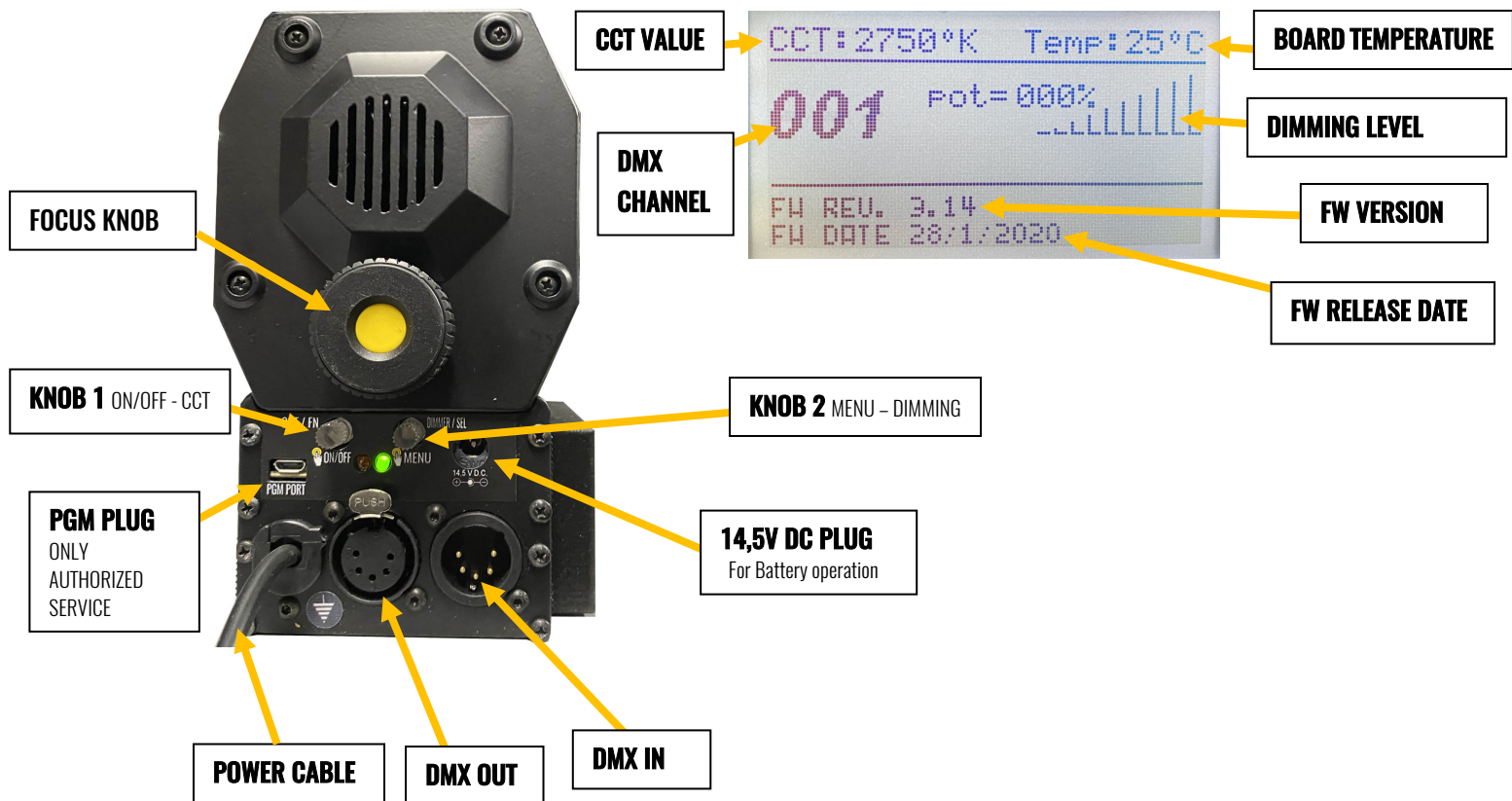
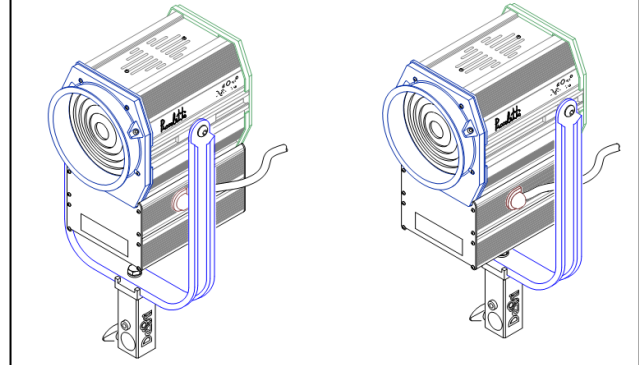
## 2. ACCESSORIES MOUNTING, DIMENSION AND PRODUCT FEATURES



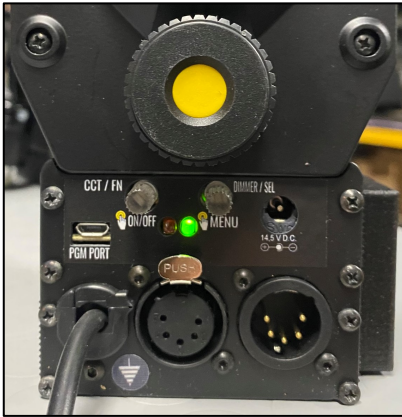
### COLOUR FRAME ASSEMBLING/DISASSEMBLING



### YOKE ADJUSTABLE POSITIONING



### 3. POWER AND DMX DAISY CHAIN



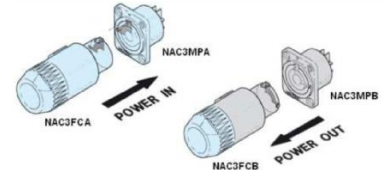
The PICCOLETTO VW permits DMX DAISY CHAIN.

In fact each Fixture is respectively equipped with:

- 1 XLR5 pin Panel Mount Male (DMX IN)
- 1 XLR5 pin Panel Mount Female (DMX OUT)

For Mains Supply

- 1.5 mt CABLE



It is recommended to Daisy Chain a Max of 10 fixtures, even if the limitations imposed by DMX Standards are for an higher q.ty of units and even if the Powercon Connections are rated for 20A ma

### 4. CHARACTERISTICS AND PERFORMANCE DATA

DESCRIPTION	VALUE	DESCRIPTION	VALUE	
LED Power	30 W	Protection Type	IP22	
Power Consumption	32 W @ 230V (50-60 Hz)	Max Housing temperature	70° C	
	35 W @120V (50-60 Hz)			
DMX Data Link USITT DMX512-A	This product uses a 5-pin XLR for DMX input and output. Use a shielded data cables. Do not overload the daisy chain. Up to a maximum of 32 devices can be used on a single DMX chain.	Weight of Fixture	M.O.	P.O.
			1,27 kg.	n.a.
DMX Channels	Total 3 DMX Channels:  Light Intensity, CCT Control, Mode of CCT Control (steps or continuous)	Weight of barndoor	4 leaf	8 leaf
			0,1 kg.	0,2 kg
Protection class	Class 1– ground connection required	Size of scrims & color frame	Seat Diameter	Acc.ies Diameter
			98 mm.	80 mm ( 7 1/4 )
Lens diameter	80 mm. (3-5/32")	Size of barndoor ring	Seat Diameter	Ring Diameter
			102 mm.	78 mm.

Specifications subject to change without notice.

## 5. SAFETY INSTRUCTIONS

**Professional use:** This luminaire has been designed for professional use and must be operated by qualified personnel only. Not for residential use.

**Grounding:** **WARNING: THIS LUMINAIRE MUST BE GROUNDED**




**WARNING:**  
**Disconnect Power CORDS before**  
**any maintenance work or opening the FUSE HOLDER.**  
**RISK OF SERIOUS INJURY.**

**Electrical connections:** **IMPORTANT** The cores in this mains lead are colored in accordance with the following code:

	Europe	America
Ground	Green & yellow	Green or green & yellow
Neutral	Blue	White
Live	Brown	Black

In case the colors of the cores do not correspond to the colors of the connection points on your plug, please proceed as follows:

- the green or green and yellow core must be connected to the connection point marked with the letter E or with the symbol  or colored in green or in green - yellow;
- the blue (or white) core must be connected to the connection point marked with the letter N or colored in black;
- the brown (or black) core must be connected to the connection point marked with the letter L or colored in red.

### Working conditions

<b>Working Position</b>	Lighting fixture: max. tilting $\pm 90^\circ$ from horizontal			
<b>Ambient temperature, (Ta) at the place of installation and storage</b>	Minimum 10°C, maximum +40°C			
<b>Humidity at the place of installation and storage</b>	25-80% (not condensing)			
<b>Minimum distances from inflammable surfaces</b>	<b>Top</b>	<b>Back</b>	<b>Sides</b>	<b>Front</b>
	0,2 m.	0,1 m.	0,1 m.	0,75 m.

The luminaire should never be OPERATED close to inflammable materials. The ones indicated in the above table are the minimum distances recommended. Other requirements for safe use are:

- A. Do not cover the apertures of the luminaire housing. They are essential for correct ventilation
- B. Use only original accessories and spares from De Sisti Lighting.
- C. Before hanging the luminaire ensure that the suspension point (or the stand) is properly rated to accept the luminaire weight.
- D. In case of pole operated use, fit only a P.O. stirrup from De Sisti Lighting.
- E. A suitable secondary safety suspension device (safety cable, chain or equivalent) must be fitted between the suspension point and the eyelet at the front of the body

**WARNING : DO NOT MOUNT THE LUMINAIRE ON A NORMALLY FLAMMABLE SURFACE.**

## 6. INSTALLATION INSTRUCTIONS

The following procedure should be adopted:

Before connecting the luminaire to the electrical mains ensure that:

- A. Earth line is present on the power socket.
- B. The mains voltage is within the rated range of the luminaire (see technical data on the rating label)
- C. The front safety shield is present and in good condition. It consists of a Fresnel lens made by borosilicate un-toughened glass, with a Diameter = 150 mm , thickness = 5 mm type ( 3 min )



### WARNINGS :

- Do not operate the product if the ambient temperature exceeds 40° C
- Provide a minimum clearance of 0,1m (4 in.) around fans and air vents.
- Shields, lenses safety or dichroic glasses shall be changed if they have become visibly damaged to such an extent that their effectiveness is impaired, for example by cracks or deep scratches.
- The luminaire shall only be used complete with its protective shield

D. Applying power: never connect to dimmer power. Install a power plug on the power cable using the following pin assignment:

1 : Neutral

2 : Live      Green/Yellow : Ground - This fixture must be connected to ground.

Make sure the local power voltage is within the range specified. If so; connect the power cable and turn the power on.

E. Stand Alone operation:

Using the navigation buttons and display readout ( refer to the “Local Menu” chapter )navigate to Manual and set the desired intensity (for additional operations see “Local Menu” chapter)

DMX operation:

Connect DMX cable.

Navigate to Address mode (Addr) and set the desired address, (refer to the “Local Menu” chapter). Connect to DMX controller (refer to the “Channel Setting” in the “Local Menu” chapter) and Use it.

## 7. LOCAL MENU

The PICCOLETTO VW has a GRAPHIC DISPLAY backlit, with two local knobs, each one having a push/click function in addition to the rotation:



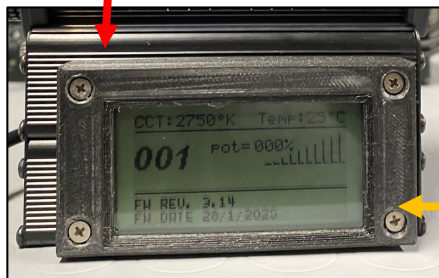
### KNOB 1

It is as a DEFAULT the CCT Variation Knob, By rotating it clockwise the CCT Changes from 2.750°K up to 6.900 °K. If such a knob is kept pushed, it switches the unit on or off



### KNOB 2

It is as a DEFAULT the DIMMING Variation Knob, By rotating it clockwise the Dimming of the Light Changes from Oup to Full Light Output. If such a knob is pushed, it has the selection or enter function to, for instance, enter into a Menu



### Display

It is a Graphic, backlit LCD Display. It contains all the relevant information for the product setup and performances, such as CCT, DMX Address, DMX Level, LED Temperature and local dimming. When the local knobs are not used for more than 5 seconds the display back illumination will go OFF and the display itself will go in STAND BY Mode. It will go ON again anytime a KNOB is activated.

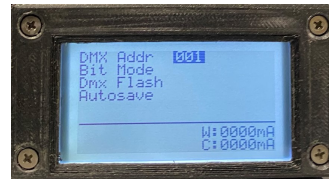
**DEFAULT SETTINGS ARE INDICATED IN BOLD LETTERS ON THE FOLLOWING TABLE:**

The following are the BASIC FUNCTIONS and COMMANDS that are provided on the LOCAL MENU of the LED FRESNEL. The unit is provided with a USER MENU accessible instantly on the product.

### 1st menu dislaved



### 2nd menu dislaved



To enter the PICCOLETTO MENU, press 3 times the right button.

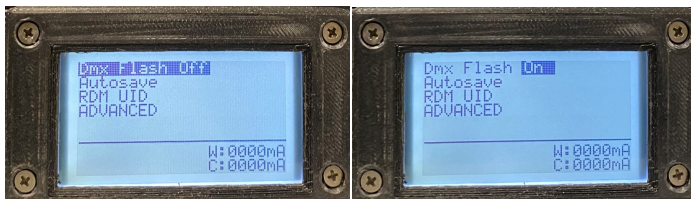
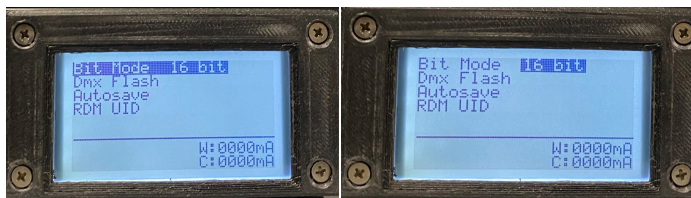
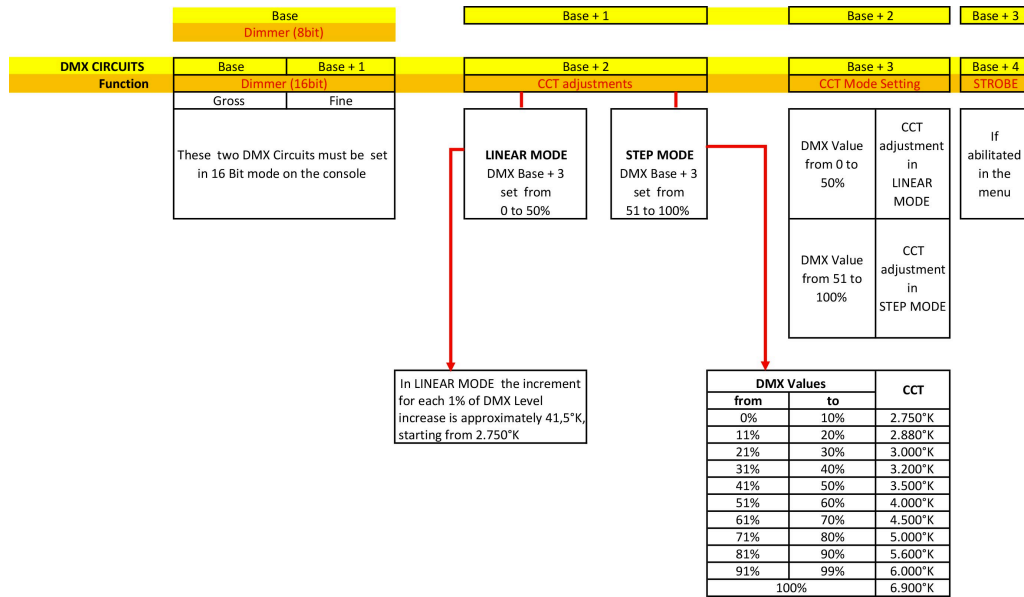
### Explanation of each menu function

#### DMX ADDRESS

This Function is to SET the **DMX address** from 1 to 512  
The Product is delivered with a default setting of the DMX address at 1.

As indicated next to each picture, it is required to reach the DMX addr Menu, select the preferred base DMX Address and Select it.

Once the DMX Address is SET, in order to return to the MAIN MENU, it is necessary to rotate KNOB 2 counter-clock-wise to return to the EXIT item and then select it by pressing KNOB 2 itself.



#### CHANNEL SETTING (RESOLUTION & FUNCTION)

This function is to SET THE DIMMING RESOLUTION either at 8 bits or at 16 bits.  
Select DMX resol by rotating and pushing KNOB2, the following choices are available:  
- 8 bits resolution (the display will show 8 bit). The fixture utilizes 1 DMX Circuit for the Light Dimming, which is the BASE CIRCUIT set in the ADDRESS.

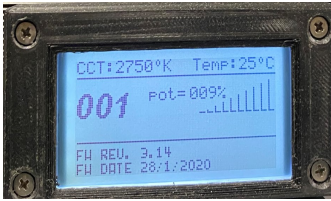
Without flash you will have: Base Dim, Base+1 CCT, Base+2 CCT Mode. With flash you will have: Base Dim, Base+1 CCT, Base+2 CCT Mode, Base+3 strobe (the higher the channel value, the higher the speed).

- 16 bits: 16 bits resolution (the display will show 16 bit and this is the default setting). The fixture utilizes 2 DMX Circuits:  
The Base Circuit set in the address is the Coarse Dimming, the second Circuit (Base +1) is the Fine Dimming.

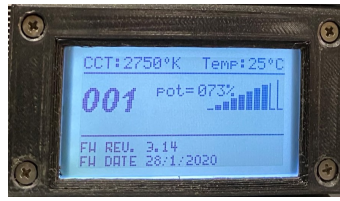
Without flash you will have: Base Coarse Dim, Base+1 Fine Dim, Base+2 CCT, Base+3 CCT Mode. With flash you will have: Base Coarse Dim, Base+1 Fine Dim, Base+2 CCT, Base+3 CCT Mode, Base+4 strobe.

Of course the benefit of the 16 bits function the corresponding circuits on the DMX Lighting Board shall also be set at 16 bits.

The DMX channels Base +2 and Base +3 are dedicated to the CCT Variation Control as described previously.



When the DISPLAY is in STAND BY Mode, please rotate KNOB 2 to act on the LIGHT INTENSITY Dimming. Clock Wise to increase the level and Counter Clock Wise to decrease it. Fine control:



For faster Dimming Control keep KNOB 1 pressed and rotate KNOB 2:  
1 full TURN of the KNOB 2 = 40% Dimming Variation

**LOCAL DIMMING CONTROL**

This function is to **LOCALLY DIM THE LED INTENSITY** from 0 to 100% (Product is delivered with default setting of the Dimmer at 0)

the right knob is doing the dimming action and it goes with a fine tuning in normal condition, or a fast dimming when rotating KNOB 2 while keeping KNOB 1 pressed in.



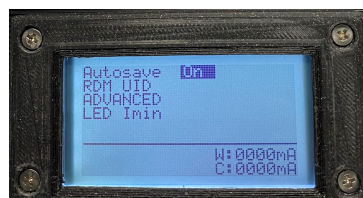
**LOCAL CORRELATED COLOR TEMPERATURE CONTROL**

This function is to **LOCALLY ADJUST the CORRELATED COLOR TEMPERATURE** from 2.750°K to 6.900°K (Product is delivered with default setting of the CCT at 2750°K)

The rotation of KNOB 1 will determine CCT increments according to the following table (STEP MODE)

CCT
2.750°K
2.880°K
3.000°K
3.200°K
3.500°K
4.000°K
4.500°K
5.000°K
5.600°K
6.000°K
6.900°K

If a continuous CCT Adjustment is required (LINEAR MODE) it is necessary to operate through a DMX Console: please see DMX parameters above



**LOCAL OR REMOTE CONTROL SETTINGS**

The LED Fresnel has the facility to block the LOCAL DIMMING and CCT SETTINGS and maintain it when the POWER is turned off and than on again.

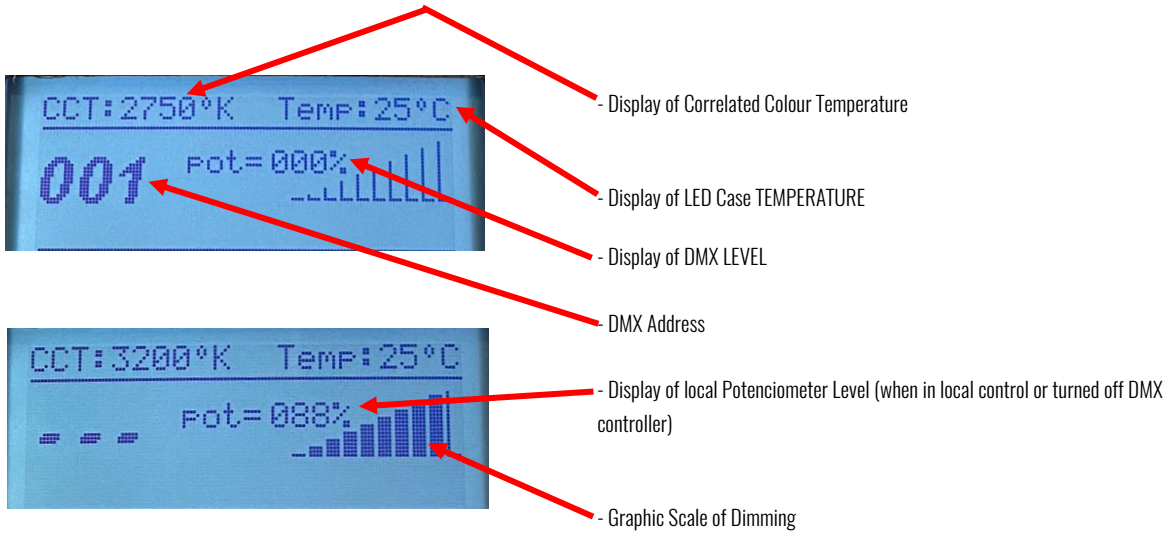
This allows for the LIGHT to be TUNED and FOCUSED locally and its dimming plus CCT level can be blocked, so that for instance a system lighting a SET can be operated by a remote switch or simple brakers by TURNING POWER ON.

The machine is set to Auto save OFF as default: in this condition the Fixture can be controlled locally until a DMX device is connected to it. Once the Console will be acting it will take priority over any local control.

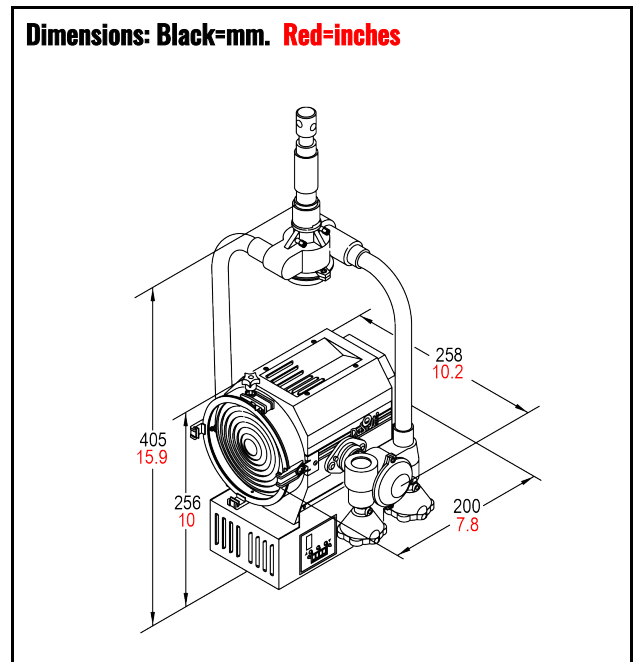
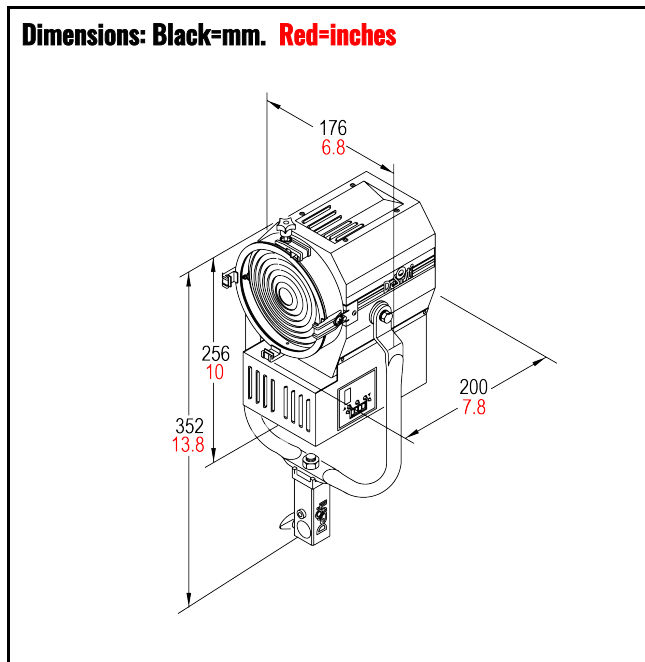
To turn the Auto sve ON please follow these instructions:

- rotate KNOB 2 and select Auto save OFF
- press KNOB 2 to highlight the status of Auto save, in this case OFF
- rotate KNOB 2 to turn the status of Auto save to ON and press it
- leave the settings in this condition: the light will ignore any DMX Control. In this mode any local dimming setting will be maintained and will be automatically recalled after power off, when turning the power on again.

**INFORMATION PROVIDED ON THE DISPLAY**



**8. DIMENSIONS**



## 9. PERIODIC INSPECTION & MAINTENANCE

This product requires very little routine maintenance, if any, but has special cleaning instructions:

Disconnect fixture from power and allow it to cool for 10 min.

1. Vacuum or gently blow away any dust from fan blades and grills
2. Very gently clean the LED with Isopropyl alcohol.
3. Clean the lenses with a soft damp cloth.
4. Check the condition of the safety shield (see chapter: Installation Instructions) before every use.
5. Check Power supply cable and DMX control cable proper conditions

## 10. SAFETY STANDARDS

**Europe: The product conforms the Applicable European Directives & Standards**

Low Voltage Directive: **73/23/EEC (as amended by 93/68/EEC)**

EMC Directive: **89/336/EEC (as amended by 92/31/EEC & by 93/68/EEC)**

European Standards: **EN 60598-2-17, EN 60598-1, EN 55015, EN 61547**

*Disposing of this product:*

Help preserve the environment! Ensure that this product is recycled at the end of its life.

This product is in compliance with the RoHS and WEEE directives.